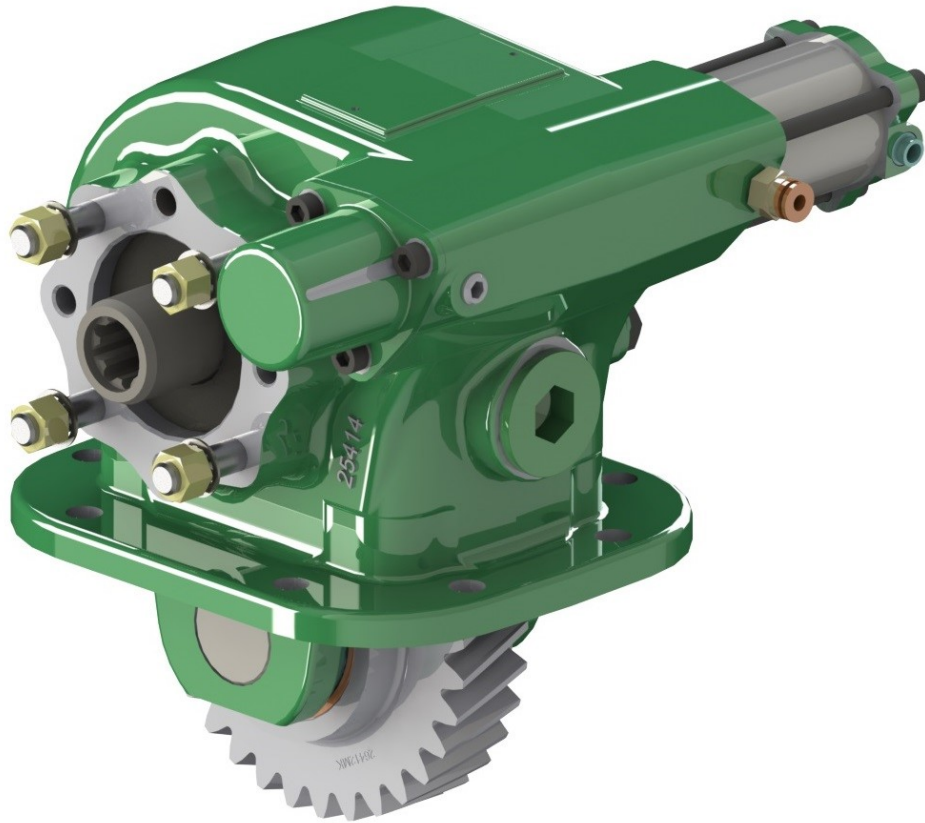


Technical Data Sheet



PA412 SERIES POWER TAKE-OFF

Deep Reach High Torque 8 Bolt Side Mounted PTO

The 412 series is designed for the left opening of certain Hino transmissions with an 8 bolt opening. It is a heavy-duty deep reach design.

Suits:

Hino LX06S transmissions.
(Refer to the eGuide Configurator on www.hydreco.com for confirmation and details)

Product Features

- **Output Speeds 65.3 to 87.6% of Engine Speed (Transmission Dependant)**
For very high torque at the output.
- **Wide variety of outputs**
To suit many vehicle configurations.
- **Constant mesh gears**
Less potential for gearbox damage through misuse.
- **Heavy duty tapered roller bearings**
For long life and better support of the idler gear.

POWAUTO

DAVID BROWN
HYDRAULICS

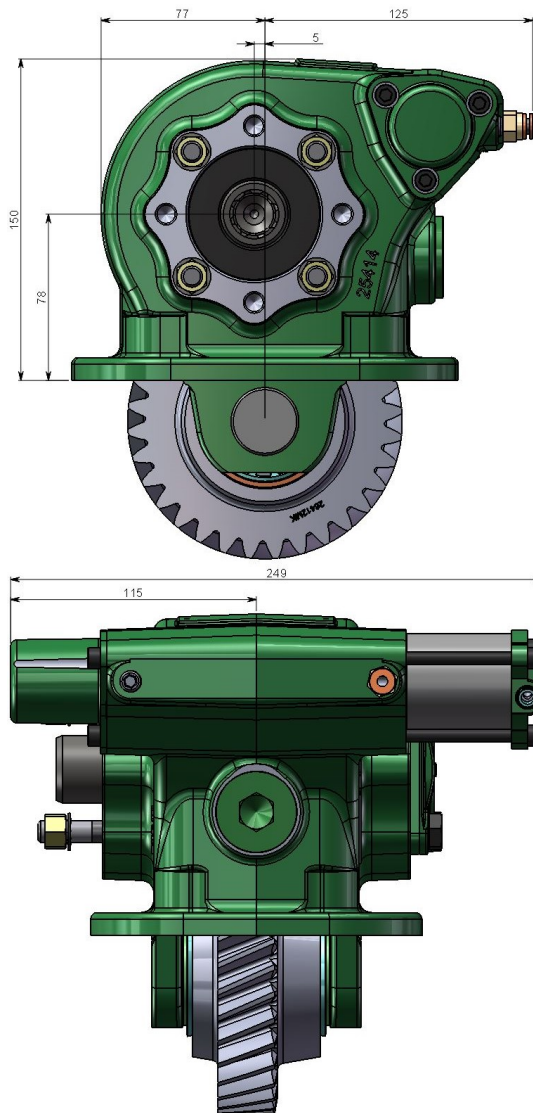
HYDRECO®

HYDRECO
POWAUTO
ADVANCED HYDRAULIC TECHNOLOGIES



www.hydreco.com

Technical Data Sheet



PTO DESIGNATION CODES

412 Series

PA 412 MK L23 A 08 *

Identifier

PA = PTO Side Mount

PTO Series

412

Gear Type

MK

Build

L = Left side of transmission

2 = Selector to bottom / Bias to top

3 = Front to centre

(Position of gear in transmission)

Engagement Type

A = Air

Output Type

08 = 8T Powauto Hydraulic Spline

09 = 14T 12/24 30° Spline + 35 x 60 Flange

10 = 14T 12/24 30° Spline + 1310 Flange

11 = 14T 12/24 30° Spline + 1410 Flange

13 = 13T SAE B Hydraulic Spline + SAE B Pump Mount

23 = 8T Ø36 DIN 5462 Spline - Female and DIN Mount

41 = 3B UNI Pump Mount

Other outputs available on request, subject to MOQ.

Manufacturers Code

A = With Pressure Switch

B = With Mounting Kit

C = With Mounting Kit & PTO Control Kit

Technical Specifications		
Ratings & Service Parts		
Torque	Nm / ft.lb	355 / 261
Power @ 500 rpm	kW / hp	18.5 / 24.8
Power @ 1000 rpm	kW / hp	37.0 / 49.7
Output Shaft Rotation		Opposite To Engine
Approximate Bare Mass	kg / lb	15.0 / 33.0
Mounting Kit		MK1167
Mounting Gasket Kit		GK017
Seal Kit		SK065A
Bearing Kit		BK065A

Note: For full details refer to the owners manual or the eGuide configurator found at www.hydreco.com/solutions/on-road

Doc: PA412—04/20

POW AUTO

DAVID BROWN
HYDRAULICS

HYDRECO®

HYDRECO
POW AUTO

ADVANCED HYDRAULIC TECHNOLOGIES



www.hydreco.com