



**HYDRECO**

HYDRAULIC SOLUTIONS PROVIDER

# CONSTRUCTION & MINING





# INTRODUCING THE COMPLETE SOLUTION

## **A 100 Year Journey**

About 100 years ago, Hamworthy began its journey in the hydraulics machinery market with a vision of building the most robust and reliable hydraulic systems for construction machinery applications.

Today Hydreco is far more than just a designer of valves and pumps. As a leading specialist in mobile hydraulics, with a rapidly expanding global footprint, we offer a comprehensive range of products, and services to provide complete hydraulic solutions to just about any construction machinery application. Our company has established a long tradition of innovation

by consistently setting the industry standard. Our engineering design and development team has extensive knowledge in mobile hydraulics and is driven to continually strive to raise the bar on our competitors by offering comprehensive, tough and reliable hydraulic solutions aimed at delivering maximum performance, whatever the application.

## **Complete Hydraulic Solutions**

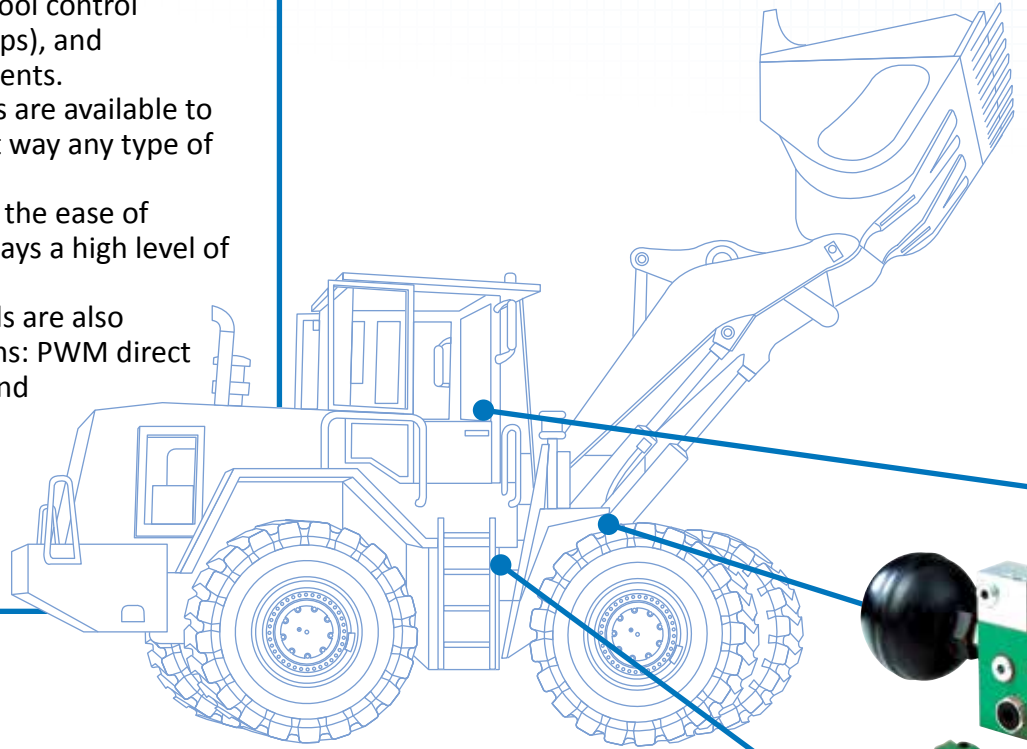
Supported by a highly talented engineering design team and the widest selection of hydraulic components in the industry, the Team at Hydreco can offer complete system solutions for any off road application.



# ENGINEERED TO MOVE

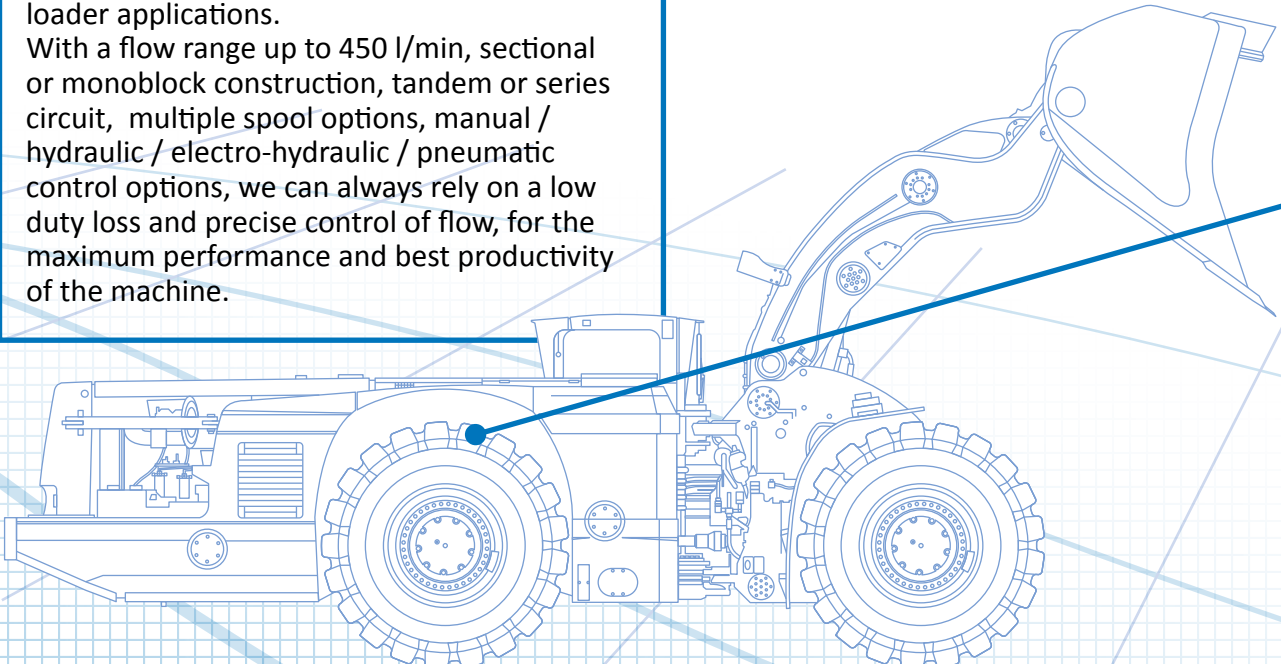
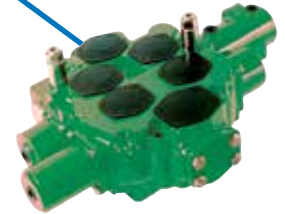
## HYDRECO PILOT VALVES AND MFE HANDLES

Hydreco pilot valve control range include monoblock and sectional valves, hand and foot operated, with float spool control function (with pre-feel ramps), and mechanical or electrical detents. A variety of metering curves are available to control in the most efficient way any type of directional control valves. Due to a low hysteresis and the ease of control the pilot valve displays a high level of accuracy. Electro proportional controls are also available in different versions: PWM direct control, analogue output, and CAN-bus. The ergonomic handles can be fully customized with push buttons and proportional controls.



## HYDRECO LOADER VALVES WITH UNLOADING FEATURE

The wide range of Hydreco valves, cover the market requirement for a wide range of loader applications. With a flow range up to 450 l/min, sectional or monoblock construction, tandem or series circuit, multiple spool options, manual / hydraulic / electro-hydraulic / pneumatic control options, we can always rely on a low duty loss and precise control of flow, for the maximum performance and best productivity of the machine.



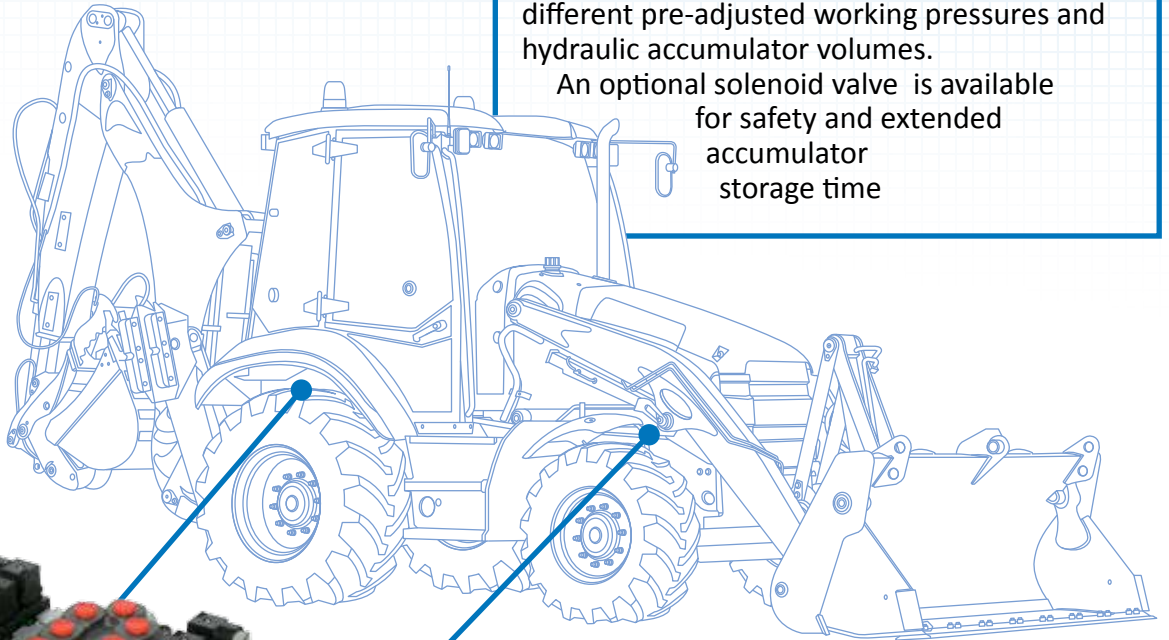
Supported by a highly talented engineering design team and wide selection of hydraulic components, the team at Hydreco™ can offer complete solutions for any construction and mining vehicle.

## HYDRECO PILOT SUPPLY UNIT

In the absence of a dedicated pump the supply unit is designed to draw oil flow from the main circuit to ensure functionality of the pilot valve.

A variety of versions are available with different pre-adjusted working pressures and hydraulic accumulator volumes.

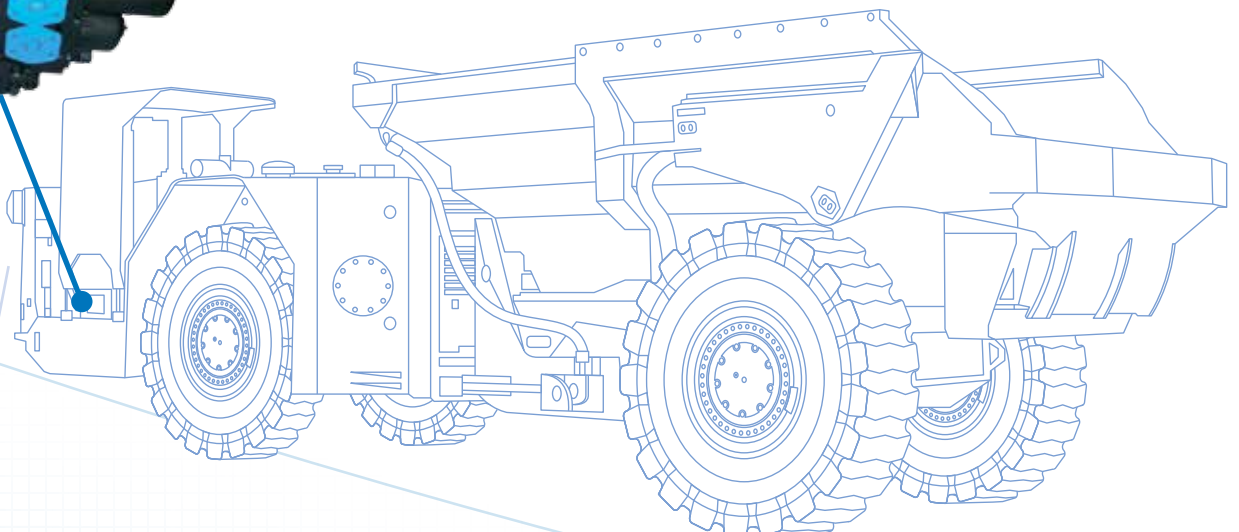
An optional solenoid valve is available for safety and extended accumulator storage time

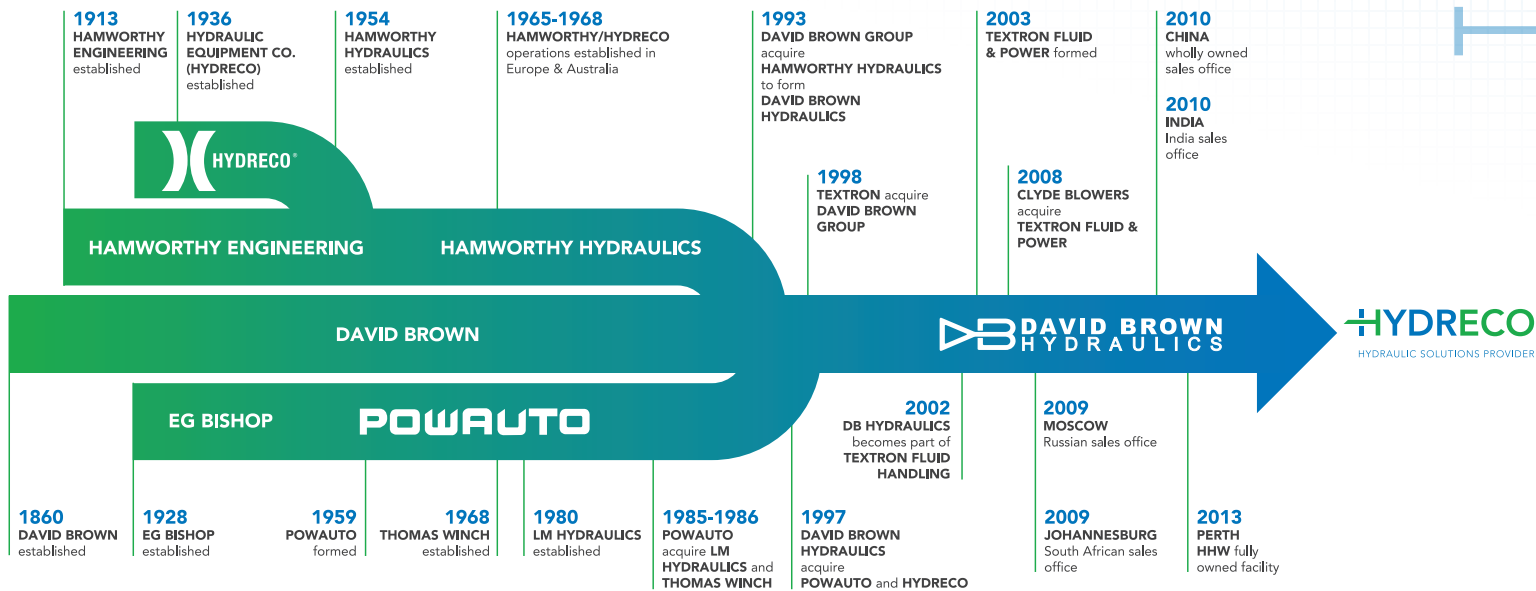


## HYDRECO GEAR PUMPS

Hydreco has an extensive range of low noise helical gear, aluminium and cast iron gear pumps and standard spur gear models.

Our gear pumps are constantly reviewed to ensure our features and benefits are market leading.





# 100 YEARS OF HYDRAULICS EXPERIENCE

Hydreco Hydraulics is the designer, manufacturer and distributor of products servicing the transport and mobile hydraulics sector. Hydreco has a combined history of 100 years in developing solutions through a rich heritage of legacy companies. The joining of David Brown Hydraulics, Powauto and Hydreco in 1997 brought together some of the most respected products, people and heritage brands in the business.

Engineering excellence is at the core of our organization, the product range is geared towards offering the best possible solution for many applications within Construction, Earth moving, Transport, Industrial, Materials handling, and many more. We pride ourselves on supporting customers through leading edge products, designed to provide optimum performance and extensive reliability in continual hard working applications. With innovative technology our products have evolved and developed, leading to a range of some of the highest quality products available in the market place. The

business is positioned to respond to your hydraulic needs through a worldwide network of manufacturing and sales facilities.

Hydreco has an extensive range of low noise helical gear, aluminium and cast iron gear pumps and standard spur gear models from its David Brown heritage. Its valve range covers multi-spool sectional and monoblock models with electro hydraulic, hydraulic and lever control. Dual axis, stackable and single axis hydraulic pilot valves, with an extensive range of handle options including ergonomic handles with many switches and button options. The valves are available with spring centred and electric detent options.

Under the name Hydreco Powauto, with heritage back to 1928, we sell our range of Transport hydraulics products. The product range covers power take-off units, pumps, valves, cylinders and accessories for on and off road vehicles. This World Class brand possesses a strong footprint in Asia Pacific building on its excellent reputation.



*The manufacturing engineering office from the 1950's*



*The Tool Room from 1947*



## CONTACT INFORMATION

EMEA				
<b>DENMARK</b>	Hydreco Hydraulics Denmark A/S, Kastrup (Copenhagen)	Tel: +45 32 51 40 15	Fax: +45 32 51 20 22	info-dk@hydreco.com
<b>FINLAND</b>	Hydreco Hydraulics Finland Oy, Helsinki	Tel: +358 9 342 4120	Fax: +358 9 342 41236	sales-fi@hydreco.com
<b>GERMANY</b>	Hydreco Hydraulics GmbH, Straelen (NRW)	Tel: +49 2834 94303-41	Fax: +49 2834 94303-64	info-de@hydreco.com
<b>ITALY</b>	Hydreco Hydraulics Italia Srl, Vignola (MO)	Tel: +39 059-7700411	Fax: +39 059-7700425	sales-it@hydreco.com
<b>NORWAY</b>	Hydreco Hydraulics Norway AS, Skjetten	Tel: +47 22 90 94 10	Fax: -	post-no@hydreco.com
<b>RUSSIA</b>	Hydreco Hydraulics Russia, Moscow	Tel: +7 495 967 3453	Fax: +7 495 785 0636	sales-ru@hydreco.com
<b>SOUTH AFRICA</b>	Hydreco Hydraulics (Proprietary) Ltd, Benoni	Tel: +27(0)11 748 0076	Fax: +27 (0) 86 558 2942	sales-sa@hydreco.com
<b>UK</b>	Hydreco Hydraulics Ltd, Poole, Dorset	Tel: +44 (0) 1202 627500	Fax: +44 (0) 1202 627555	info-uk@hydreco.com
AMERICAS				
<b>USA</b>	Hydreco Inc, Charlotte (NC)	Tel: +1 704 295-7575	Fax: +1 704 295-7574	sales-us@hydreco.com
<b>LATIN AMERICA</b>		Tel: +1 704 572-6266		sales-es@hydreco.com
APAC				
<b>AUSTRALIA</b>	Hydreco Hydraulics Pty Ltd, Seven Hills (NSW)	Tel: +61 2 9838 6800	Fax: +61 2 9838 6899	sales-au@hydreco.com
<b>AUSTRALIA</b>	Hydreco Hydraulics Pty Ltd, Narellan (NSW)	Tel: +61 246 476 577	Fax: +61 2 4648 2257	hydreco-au-narellan@hydreco.com
<b>AUSTRALIA</b>	Hydreco Hoist & Winch Sales (WA) Pty Ltd, Bassendean (WA)	Tel: +61 8 9377 2211	Fax: +61 8 9377 2223	hydreco-au-hhw@hydreco.com
<b>CHINA</b>	Hydreco Hydraulics (Xiamen) Co. Ltd, Xiamen, (Fujian)	Tel: +86 0592 2237 901	Fax: +86 0592 2237 052	sales-cn@hydreco.com
<b>INDIA</b>	Hydreco Hydraulics India Private Ltd, Bangalore	Tel: +91 80 42713100	Fax: +91 80 42713111	sales-in@hydreco.com