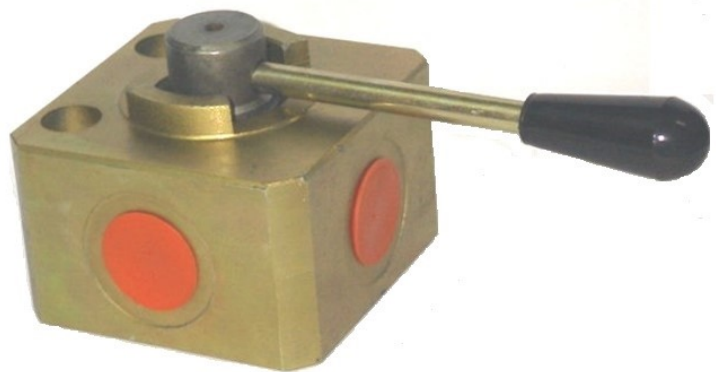


# Technical Data Sheet



Standard

HP—High Pressure



## D3V SERIES DIVERTER VALVES

### Manual Diverter Valves

Ideal for low to medium flow diversion in medium and high-pressure systems.

This valve provides a low-cost alternative to an air operated truck hydraulic system.

Simple to operate this valve opens both systems during transition to prevent pressure spikes in operation.

### Product Features

- **Compact size**  
For minimum problems in fitting & mounting.
- **Easy to install**  
Lowers installation costs.
- **Simple design**  
Lowers maintenance costs.
- **High Pressure (HP designator)**  
Suitable tippers, winches and cranes etc (<350bar).

POWAUTO

DAVID BROWN  
HYDRAULICS

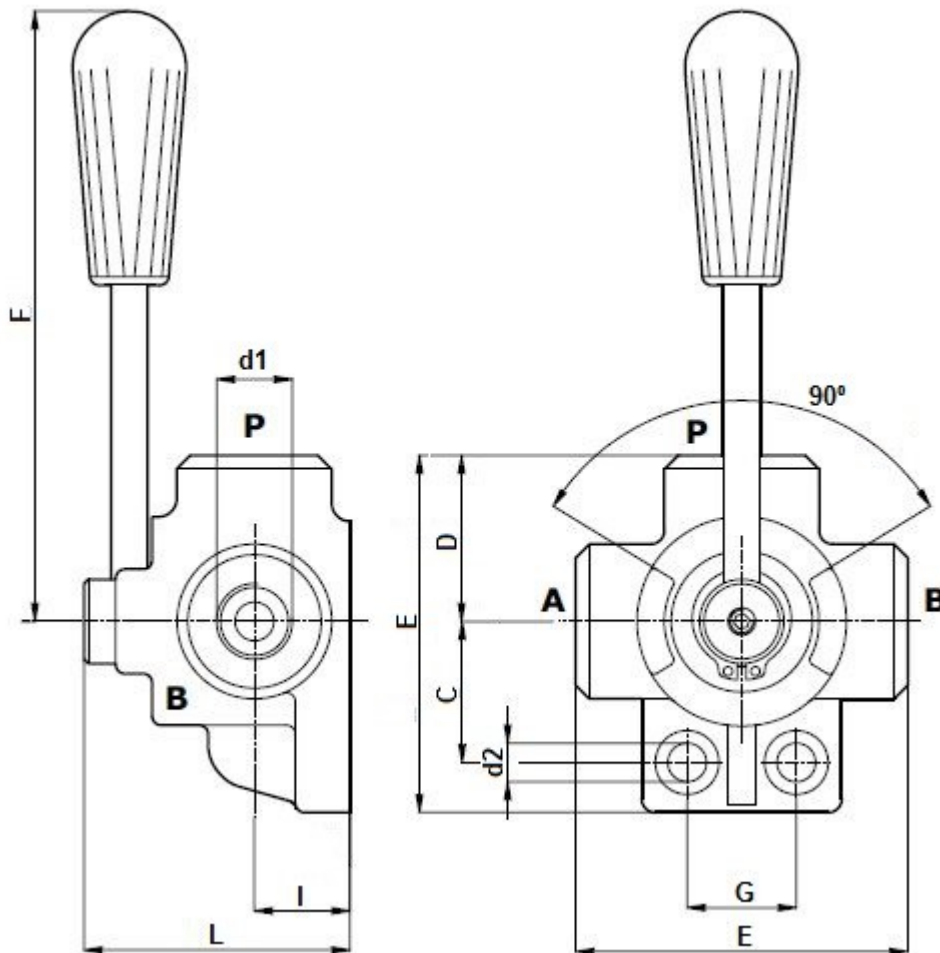
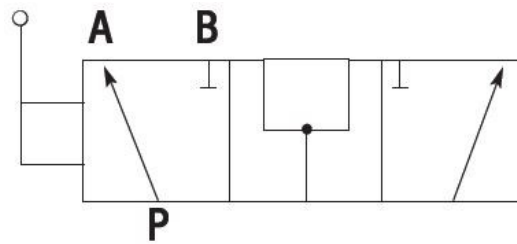
HYDRECO®

HYDRECO  
POWAUTO  
ADVANCED HYDRAULIC TECHNOLOGIES



[www.hydreco.com](http://www.hydreco.com)

# Technical Data Sheet



Technical Specifications	Max Flow	Max Press	d1	d2	C	D	E	F	G	H	I	L	Mass
Model	L/min	Bar											kg
D3V-1/2	90	280	G $\frac{1}{2}$ "	8.5	36	43	96	120	30	85	24	70	1.42
D3V-3/4	120	250	G $\frac{3}{4}$ "	11	41	47	101	125	32	91	28	80	1.84
D3V-1	180	220	G1"	11	50	51	115	130	32	98	32	90	2.51
D3V-1/2HP	90	400	G $\frac{1}{2}$ "	11	28	40	80	125	36.5	83	38	71	2.38
D3V-3/4HP	120	350	G $\frac{3}{4}$ "	12	30	45	90	124	32	87	44	80	2.88
D3V-1HP	180	320	G1"	11	38	53	106	164	60	106	53	89	4.76

Note: Hydreco recommends the use of filtration in all hydraulic circuits to a maximum of 25 $\mu$

Doc: D3V—11/22

POW AUTO

DAVID BROWN  
HYDRAULICS

HYDRECO®

**HYDRECO**  
POW AUTO  
ADVANCED HYDRAULIC TECHNOLOGIES



www.hydreco.com