

Technical Data Sheet



CKI98 PENDANT CONTROL KIT

Electropneumatic Controls

The CKI98 is used to control the functions of a side tipping system with up to 4 trailers.

The kits included solenoid valve bank is mounted on the chassis, with the provided loom connecting the valve bank to the 14 core 2m lead of the pendant in the cabin.

The pendant is furnished with large 2-step buttons that are programmable to suit varying applications. With the E-Stop button it complies with VSB6 Version 3.2 Section J4.

With only the pendant control located in the cabin, the tipping operations can be controlled from any convenient location.

Product Features

- **E-Stop Button**
To comply with VSB6 Ver3.2 Sect J4.
- **2 Step Buttons**
Simple fast and slow lower function (tipping valve dependant).
- **Versatile**
Can be used with 2 spool valve or single tipper and diverter valve.
- **Programmable**
Swap between different function modes.
- **Pre packaged system kit**
Everything provided for installation.
- **Colour coded wiring**
Easy installation, therefore saves money.
- **Compact design**
No unsightly “bolt on” inside a new cab.
- **LED Status beside each button**
Easy to see operating function.



HYDRECO
a member of **DAIKIN** group



www.hydreco.com

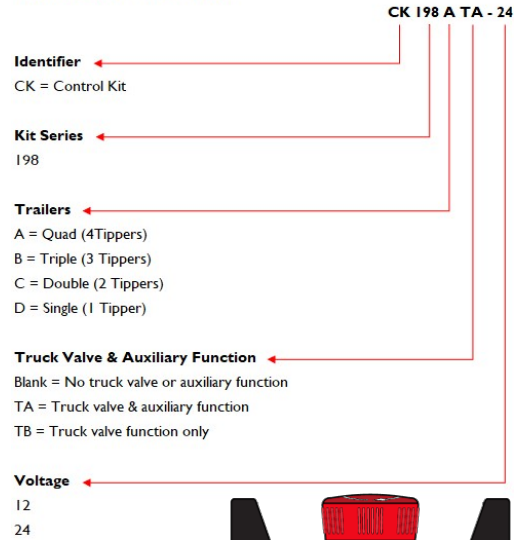
Technical Data Sheet

Solenoid Direct Operated Poppet Valve - Normally Closed	
Operating Pressure	5-10 bar (72 to 145 psi)
Orifice	2.1mm
Power Consumption	8.7W (12V @ 0.73A - 24V @ 0.36A)
Protection Class	IP6K9K
Connector	2 Terminal Tyco HDSCS
Operating Temperature	-40 to 85°C Air must be dry to avoid ice formation at temperatures below 2°C
Valve Body	PA glass filled
Internal Parts	Stainless Steel
Seals	HNBR

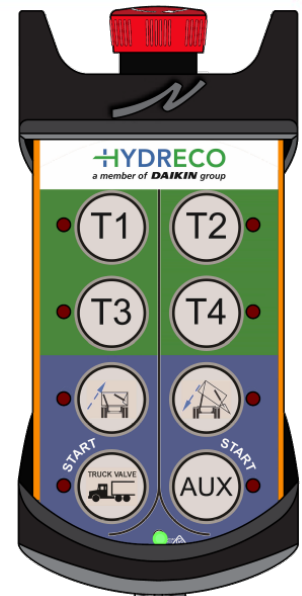
Pendant Controller	
No. of Buttons	8 x 2-step
No. of Outputs	10 (maximum)
Max. Current for all Outputs	10A
Max. Current per Output	3A
Protection Class	IP67
Operating Temperature	-20 to 50°C
Dimensions	160 x 76 x 37mm
Weight	295g
Mounting Bracket (Optional)	50000305

CONTROL KIT DESIGNATION CODES

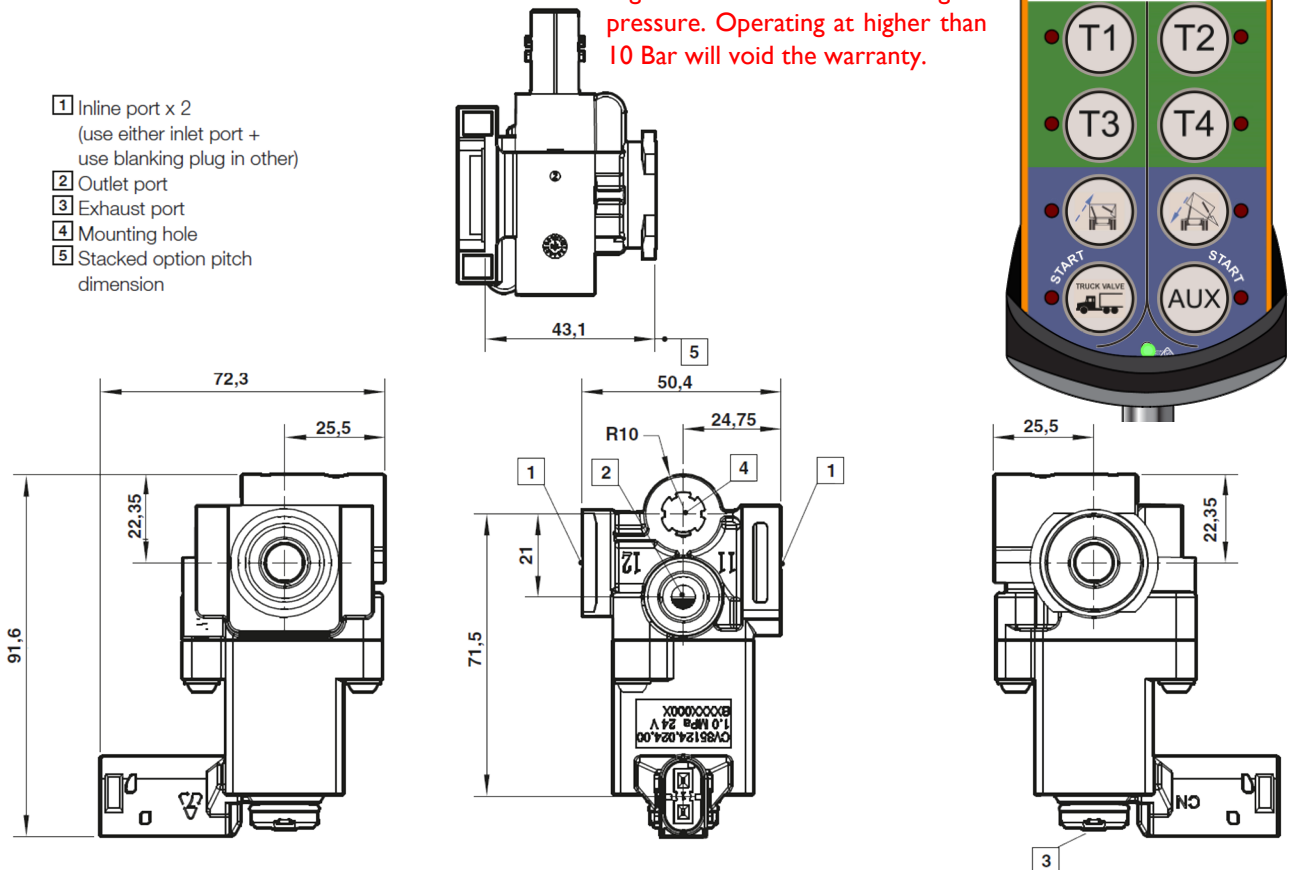
Pendant Series - Side Tipper



Note: The valves are rated to a maximum air pressure of 10 Bar. It is necessary to install a pressure regulator on vehicles with a higher pressure. Operating at higher than 10 Bar will void the warranty.



- 1 Inline port x 2
(use either inlet port + use blanking plug in other)
- 2 Outlet port
- 3 Exhaust port
- 4 Mounting hole
- 5 Stacked option pitch dimension



Doc: CK198—10/23



HYDRECO
a member of **DAIKIN** group



www.hydreco.com