

Technical Data Sheet



CKI44 AIR CONTROL KIT

PTO Pneumatic Controls

This manual switch control, CKI44, is designed to operate an air shift PTO via a dash mounted pneumatic rocker valve.

This is a practical design for today's cabs for the operator on a limited budget.

With integrated lighting (to connect to the vehicle lighting circuit) and warning light for when activated. This stylish valve will integrate into most modern truck cabins and with no damage to the dashboard.

Product Features

- **Pre packaged system kit**
Provides ease of installation.
- **Compact design**
No unsightly "bolt-ons" in a new cab.
- **Integrated safety guard**
To limit the chance of accidental activation.
- **LED Illumination**
Easy to see under all conditions. Suitable for both 12 and 24V applications.

POWAUTO

DAVID BROWN
HYDRAULICS

HYDRECO®

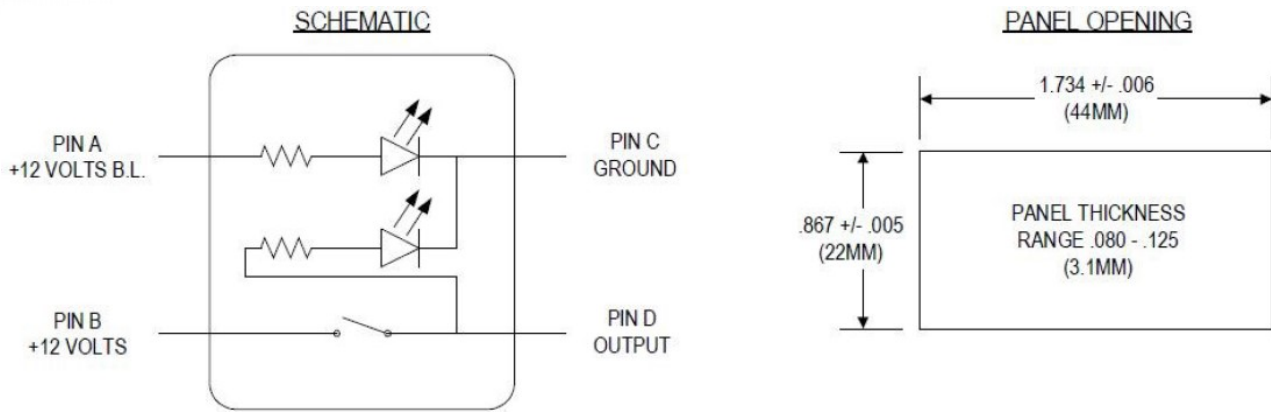
HYDRECO
POWAUTO

ADVANCED HYDRAULIC TECHNOLOGIES

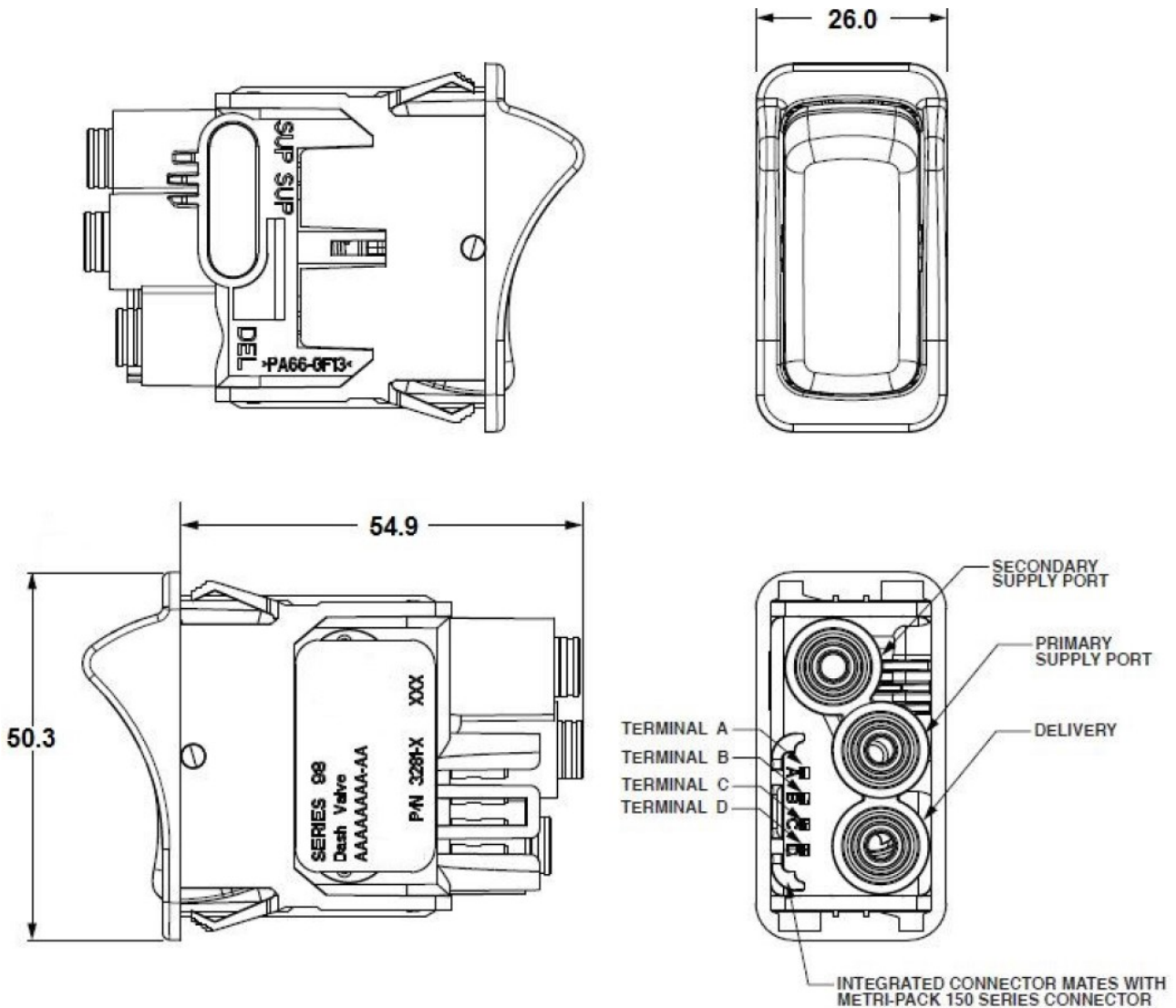


www.hydreco.com

Technical Data Sheet



CKI44 comes complete with air hose and electrical cable with connector.



Doc: CKI44—04/20

POWAUTO

DAVID BROWN
HYDRAULICS

HYDRECO®

HYDRECO
POWAUTO

ADVANCED HYDRAULIC TECHNOLOGIES



www.hydreco.com