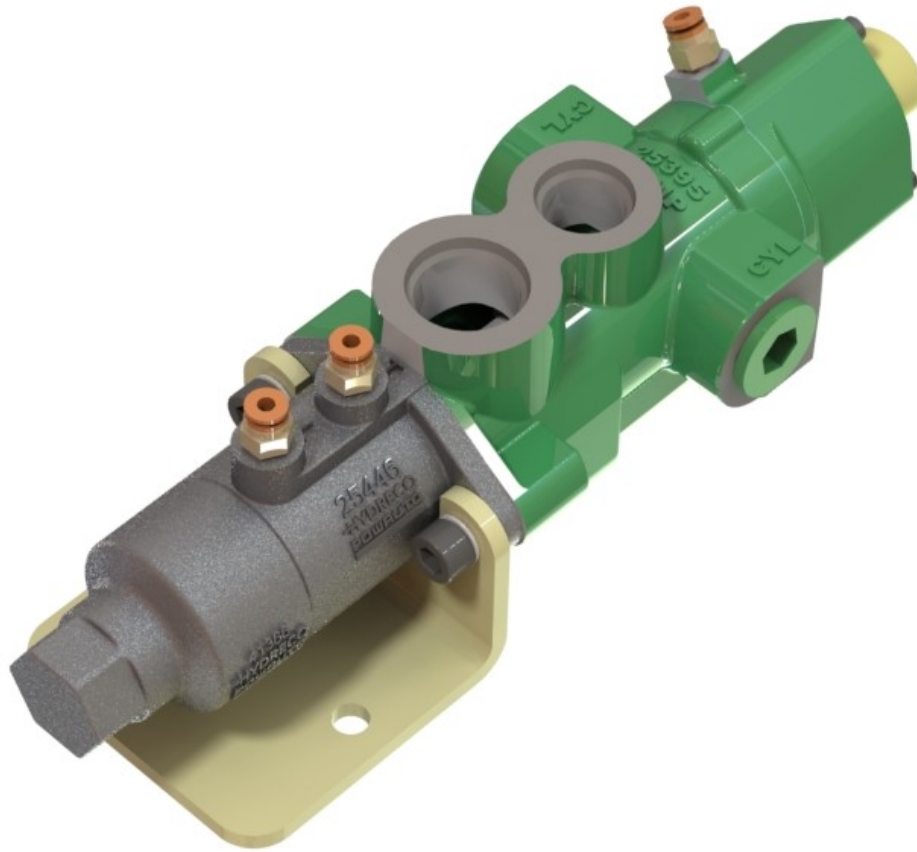


Technical Data Sheet



87 SERIES HYDRAULIC HOIST VALVE

Air Controlled Three Position Hydraulic Spool Valve With Optional Dampening

The 87 Series valve is a bracket mounted, pressure balanced single spool valve for control on hoist tipping applications.

Used in conjunction with a proportional air control (e.g. CK90A) the valve controls the rate of lowering. When using electropneumatic control use the two speed lower option to achieve slow lower.

Suits:

Truck hoist applications
Truck and trailer applications

Product Features

- **Hard Chrome Metering Spools**
Combine with the load hold check valve to provide load independent, proportional control.
- **Superfine Spool and Housing Tolerances**
Providing minimum loss of pressure through the valve to give higher flow rates.
- **Two Speed Lower Option**
Allows for a slow lower function when using electropneumatic controls.
- **Fully Adjustable Relief Pressure Settings**
Simple adjustment procedure to set relief pressures between 70 Bar and 210 Bar (1000—3000 psi).

POWAUTO

DAVID BROWN
HYDRAULICS

HYDRECO®

HYDRECO
POWAUTO

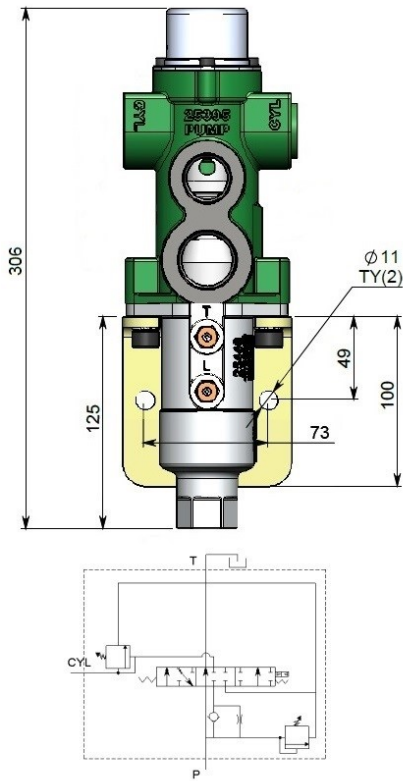
ADVANCED HYDRAULIC TECHNOLOGIES



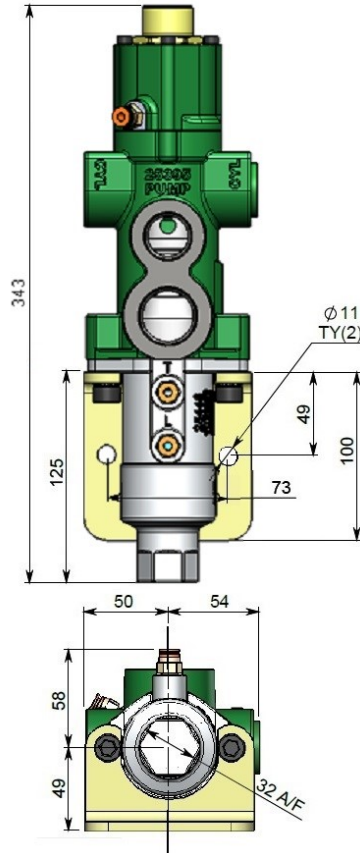
www.hydreco.com

Technical Data Sheet

Without Two Speed Lower



With Two Speed Lower



VALVE DESIGNATION CODES

87 series valve

Identifier
VA = Valve

Valve Series
87

Engagement Type
A = Air

Relief Pressure Range (Bar)
0721 = 70 - 210 (1000 - 3000psi)

Two Speed Lower
A = No
B = Yes

Port Type
G = BSPP
UN = UNO

VA 87 A 0721 A UN

Technical Specifications		Port Type	
		BSPP	UNO
Port Size	Pump	G3/4"	1 1/16" - 12
	Cylinder	G3/4"	1 1/16" - 12
	Tank	G1"	1 5/16" - 12
Flow	The pressure differential in the raise position is 780 kPa (113 psi) at 150 L/min (40US gpm) flow rate. The pressure differential in the lower or dump position is 480 kPa (70 psi) at 225 L/min (60US gpm) flow rate.		
Pressure	Maximum working pressure is 210 Bar (3000 psi). Relief valve is adjustable down to 70 Bar (1000 psi).		
Approximate Bare Mass	5.1 kg / 11.2 lb		
Seal Kit	SK109	SK109A (2 speed lower)	

Note: Hydreco recommends the use of filtration in all hydraulic circuits to a maximum of 25µ

Doc: VA87—02/22

POWAUTO

DAVID BROWN
HYDRAULICS

HYDRECO®

HYDRECO
POWAUTO

ADVANCED HYDRAULIC TECHNOLOGIES



www.hydreco.com