

Technical Data Sheet



UNDERBODY HYDRAULIC HOISTS

Underbody Hydraulic Hoist Cylinders

The UBB and UBE series hoist is manufactured from the highest quality hot rolled seamless tube, machined to exacting tolerances. They are designed for the most demanding applications for tipper bodies on both trucks and trailers.

Suits:

Ideal for rear, side or 3 way tipping applications.

Product Features

- **Compact Size**
Easily installed under tipper body.
- **All Stages are Chrome Plated**
Increases working life.
- **Outer Surfaces are Zinc Plated**
Resistant to rust. No need to paint.
- **Quality Delrin Bearings**
To ensure long life and trouble free operation.
- **Quality Polyurethane Seals**
Resist distortion to provide a long life.
- **Upper and Lower Stops Machined On the Tubes**
To provide reliable service.

POWAUTO

DAVID BROWN
HYDRAULICS

HYDRECO®

HYDRECO
POWAUTO

ADVANCED HYDRAULIC TECHNOLOGIES

www.hydreco.com

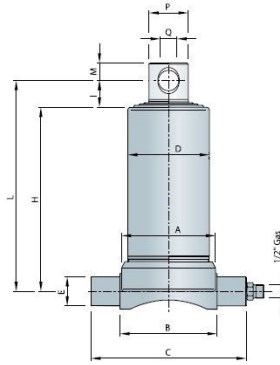
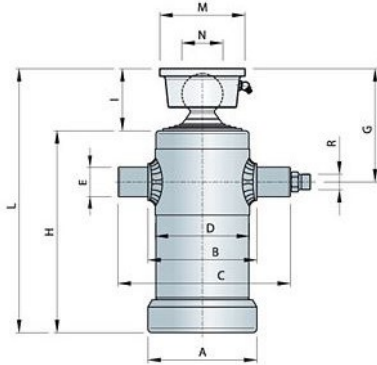
Technical Data Sheet

Always allow 20mm extension of the top stage when the body is in the fully lowered position to prevent the body riding on the hoist.

Avoid the cylinder reaching the end of its stroke by installing end of stroke valves.

When cylinders are assembled in tandem, the use of cradles is required to prevent lateral loads that will damage the cylinders.

Note: Maximum working pressure is 180 Bar (2610psi).



HOIST DESIGNATION CODES

Underbody

Identifier
 UBB = Top Mount
 UBE = Bottom Mount

Outer Barrel Size
 95mm
 114mm
 127mm
 152mm
 193mm

Stages

Stroke, mm

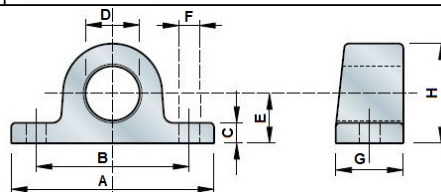
Options

Blank = Standard
 F = Hoist with Feet
 T = Tandem Hoist Configuration
 (2x Hoists, 2x Cradles, 4x Feet)

UBB 127-6-1020 F

Designation	Stroke	Stage Diameter, mm										Dimensions, mm										Ideal Pivot Centres	Feet 2 Req	Weight kg	Swept Volume Litres															
		32	46	61	72	76	91	107	127	146	166	A	B	C	D	E	G	H	I	L	M					N	R													
UBB95-3-500	500		X	X		X									110	115	200	95	35	142	245	69	314	100	45	1/2"	565	UBFM-35	14	2.0										
UBB114-4-850	850		X	X		X	X								130	135	220	114	35	142	289	71	360	100	45	1/2"	980	UBFM-35	22	4.2										
UBB127-4-1500	1500			X		X	X	X							145	150	232	127	40	153	454	84	538	115	55	1/2"	1745	UBFM-40	40	10.3										
UBB127-4-1700	1700			X		X	X	X							145	150	232	127	40	153	504	84	588	115	55	1/2"	1980	UBFM-40	44	11.6										
UBB127-4-2000	2000			X		X	X	X							145	150	232	127	40	153	578	84	662	115	55	1/2"	2335	UBFM-40	53	13.5										
UBB127-5-1050	1050		X	X		X	X	X							145	150	232	127	40	142	288	73	361	100	45	1/2"	1215	UBFM-40	26	6.5										
UBB127-5-1250	1250		X	X		X	X	X							145	150	232	127	40	142	328	73	401	100	45	1/2"	1450	UBFM-40	29	7.6										
UBB127-5-1500	1500		X	X		X	X	X							145	150	232	127	40	142	378	73	451	100	45	1/2"	1745	UBFM-40	33	9.0										
UBB127-5-1850	1850		X	X		X	X	X							145	150	232	127	40	142	448	73	521	100	45	1/2"	2160	UBFM-40	38	11.0										
UBB127-5-2150	2150		X	X		X	X	X							145	150	232	127	40	142	508	73	581	100	45	1/2"	2510	UBFM-40	41	12.6										
UBB127-5-2500	2500		X	X		X	X	X							145	150	232	127	40	142	578	73	651	100	45	1/2"	2925	UBFM-40	45	14.6										
UBB127-6-850	850	X	X	X		X	X	X							145	150	232	127	40	142	218	73	291	100	45	1/2"	980	UBFM-40	21	4.9										
UBB127-6-1020	1020	X	X	X		X	X	X							145	150	232	127	40	142	247	73	320	100	45	1/2"	1180	UBFM-40	23	5.6										
UBB152-5-2150	2150			X		X	X	X	X						170	175	262	152	45	155	521	86	607	115	55	1/2"	2510	UBFM-45	61	18.3										
UBB152-5-2500	2500			X		X	X	X	X						170	175	262	152	45	155	591	86	677	115	55	1/2"	2925	UBFM-45	70	21.0										
UBB152-6-1500	1500		X	X		X	X	X	X						170	175	262	152	45	144	343	75	418	100	45	1/2"	1745	UBFM-45	38	11.9										
UBB152-6-1800	1800		X	X		X	X	X	X						170	175	262	152	45	144	393	75	468	100	45	1/2"	2100	UBFM-45	43	13.9										
UBB152-6-3000	3000		X	X		X	X	X	X						170	175	262	152	45	144	593	75	668	100	45	1/2"	3515	UBFM-45	62	22.2										
UBB193-6-1800	1800				X		X	X	X	X	X				220	230	320	193	50	248	406	97	503	107	65	3/4"	2100	UBFM-50	84	25.5										
UBB193-6-2220	2220				X		X	X	X	X	X				220	230	320	193	50	248	476	97	573	107	65	3/4"	2595	UBFM-50	96	30.9										
UBB193-6-3000	3000				X		X	X	X	X	X				220	230	320	193	50	248	606	97	703	107	65	3/4"	3515	UBFM-50	118	40.8										
			32	46	61	72	76	91	107	127	146	166	A	B	C	D	E	H	I	L	M	P	Q	R																
UBE127-4-1200	1200			X		X	X	X							145	150	230	126	45	380	33	421	27	60	31	1/2"	1390	UBFM-45	34	8.4										
UBE127-4-1500	1500			X		X	X	X							145	150	230	126	45	456	33	497	27	60	31	1/2"	1745	UBFM-45	39	10.3										
UBE127-4-1700	1700			X		X	X	X							145	150	230	126	45	506	33	547	27	60	31	1/2"	1980	UBFM-45	43	11.6										
		1.5	3.0	5.4	7.5	8.3	11.9	16.5	23.2	30.7	39.7				Stage Force at 180Bar, Tonne																									
		1.1	2.4	4.2	5.8	6.5	9.3	12.8	18.1	23.9	30.9				Stage Force at 140Bar, Tonne																									

Feet	Dimensions, mm							Weight	
Designation	A	B	C	D	E	F	G	H	kg
UBFM-35	130	95	12	36	30	13	40	56	0.9
UBFM-40	140	108	15	41	33	15	45	66	1.2
UBFM-45	140	108	15	46	33	15	45	66	1.2
UBFM-50	150	116	15	51	36	15	45	71	1.4



Doc: UBH-03/23

POW AUTO

DAVID BROWN HYDRAULICS

HYDRECO

HYDRECO
POW AUTO

ADVANCED HYDRAULIC TECHNOLOGIES

www.hydreco.com