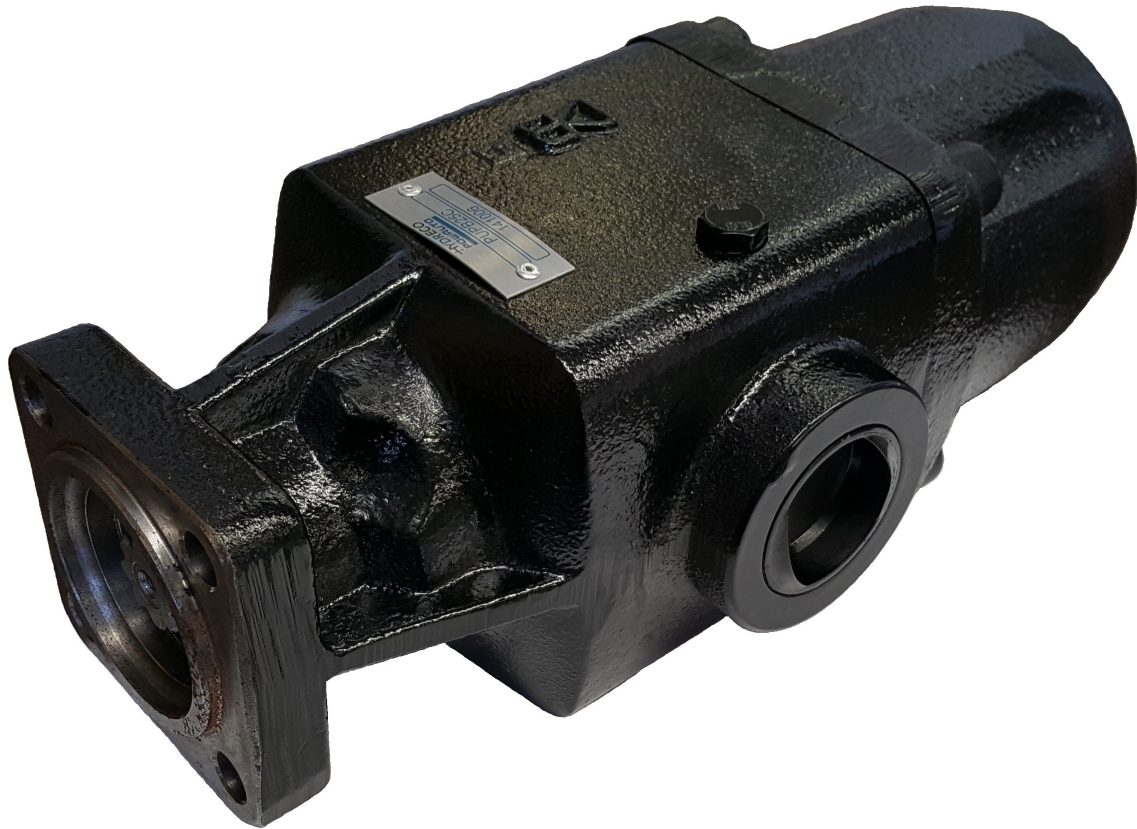


Technical Data Sheet



PUPB SERIES HYDRAULIC PISTON PUMP

High Pressure Axial Piston Pump

The P series axial piston pump is ideal for applications requiring high pressure and moderate flow. The design of the P series axial pump is optimised for performance and flow, especially at low speed.

Manufactured from rugged heat-treated materials, this product is well suited to high pressure applications such as cranes, aerial platforms, hook-lift loaders and garbage compactors.

Product Features

- **High Pressure**
Maximum performance of hydraulic systems.
- **Bi rotational**
No need to stock two models of each size.
- **Versatile positioning**
Can be placed in any one of four orientations.
- **Available with Powauto '08' mount**
To fit the standard range of Powauto PTO's.

POWAUTO

DAVID BROWN
HYDRAULICS

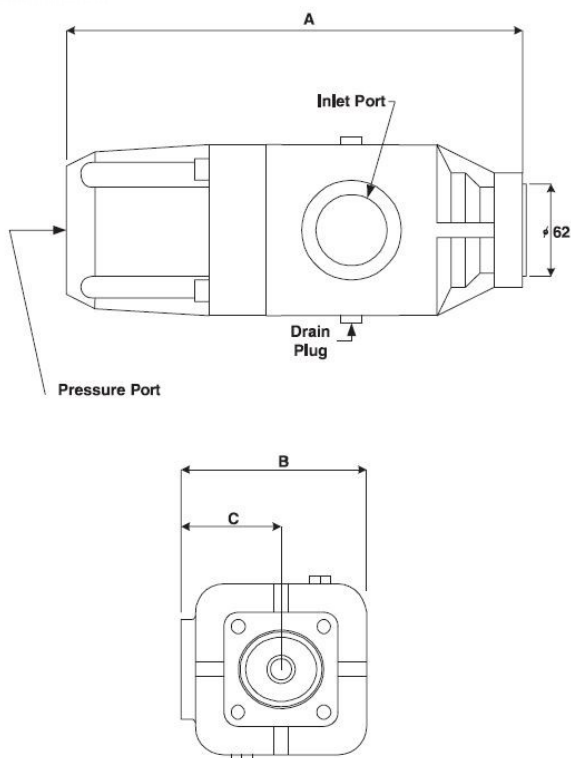
HYDRECO®

HYDRECO
POWAUTO
ADVANCED HYDRAULIC TECHNOLOGIES



www.hydreco.com

Technical Data Sheet



PUMP DESIGNATION CODES

P Series

Identifier

PU = Pump

Pump Series

P = Piston Pump

Rotation

B = Bi Rotational

Flow @ 1000 RPM

25 = 25 L/min

32 = 32 L/min

40 = 40 L/min

45 = 45 L/min

Porting

C = Combined Side & Rear

PU P B 32 C

Technical Specifications		Pump Size			
Pump Ratings		25	32	40	45
Displacement Range	cm ³ /rev	25.0	32.0	40.0	45.0
Rated Pressure	bar	320			
	psi	4650			
Peak Pressure	bar	370			
	psi	5370			
Operating Speeds	Min. Operational	200			
	Max. Continuous	2000			
Pump Port Sizes	Inlet	1 1/4" BSPP			
	Outlet	3/4" BSPP			
Approx. Bare Mass	kg	12.0			
Length 'A'	mm	277			
Length 'B'	mm	125			
Length 'C'	mm	69			
Seal Kit		SKP25C			

Important: Ensure the pump has been filled with oil prior to installation/startup.

Doc: PUPB—11/20

POWAUTO

DAVID BROWN
HYDRAULICS

HYDRECO®

HYDRECO
POWAUTO

ADVANCED HYDRAULIC TECHNOLOGIES



www.hydreco.com