

Technical Data Sheet



A SERIES HYDRAULIC GEAR PUMP

High Performance Gear Pumps

The A Series pump is ideal for applications requiring pressure and flow from moderate to high, as the design of this pump has been maximised for the harshest of applications and conditions.

Manufactured from high quality resilient SG iron, this product is well suited for applications such as elevated work platforms, hook-lift loaders, garbage compactors moving floors and tippers.

Suits:

Heavy duty and high pressure applications.

Product Features

- **Pressure up to 345 Bar (5000psi)**
Allowing for the one pump to be used in most applications.
- **Available with rear & side ports**
Provides flexibility in hydraulic line location, making installation simpler and cheaper.
- **Robust and durable**
To give high performance in harsh conditions over a long life. Reducing lifetime costs.
- **Quieter in operation than others**
To meet more demanding noise pollution requirements.

POWAUTO

DAVID BROWN
HYDRAULICS

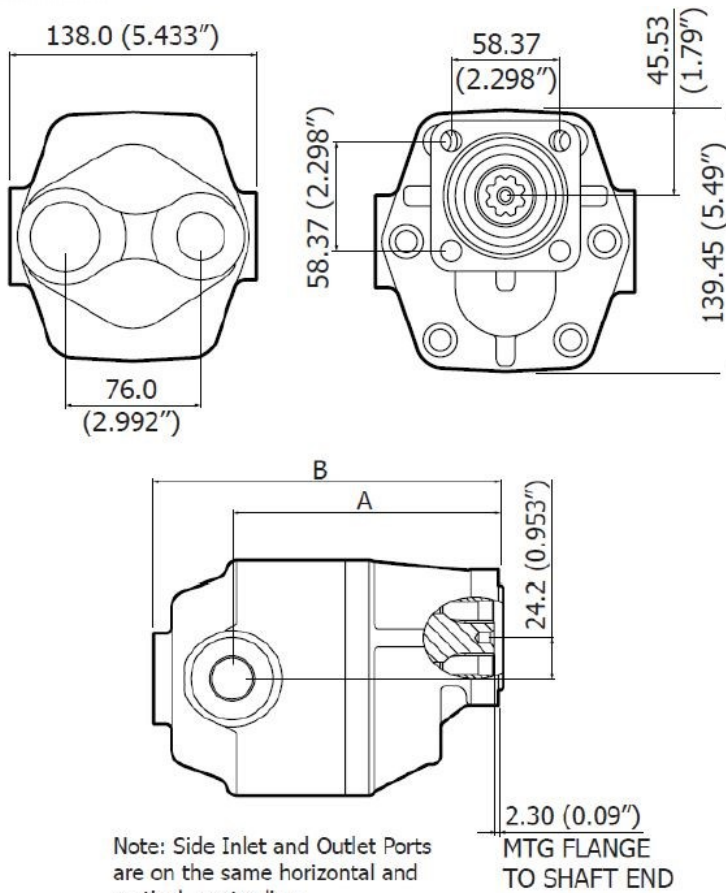
HYDRECO®

HYDRECO
POWAUTO
ADVANCED HYDRAULIC TECHNOLOGIES



www.hydreco.com

Technical Data Sheet



Note: Side Inlet and Outlet Ports are on the same horizontal and vertical centre line

PUMP DESIGNATION CODES

A Series

Identifier

PU = Pump

Pump Series

A

Rotation

O = Opposite To Engine

S = Same As Engine

Flow @ 1000 RPM

25 = 25 L/min

35 = 35 L/min

45 = 45 L/min

55 = 55 L/min

65 = 65 L/min

75 = 75 L/min

90 = 90 L/min

115 = 115 L/min

PU A O 90

Technical Specifications		Pump Size							
Pump Ratings		25	35	45	55	65	75	90	115
Displacement Range	cm ³ /rev	25.0	35.0	45.0	55.0	65.0	75.0	90.0	115.0
	in ³ /rev	1.53	2.14	2.75	3.36	3.97	4.58	5.49	7.02
Rated Pressure	bar	310	300	290	280	280	270	250	230
	psi	4495	4350	4200	4060	4060	3915	3625	3335
Peak Pressure	bar	345	335	325	315	315	300	280	260
	psi	5000	4870	4710	4570	4570	4350	4060	3770
Operating Speeds	Min. Operational	450 RPM							
	Max. Continuous	2000 RPM							
	Max. Intermittant	2500 RPM							
Min. Suction Line (I.D)		32mm - 1¼"				40mm - 1½"			
Pump Port Sizes	Inlet	1¼" BSPP				1¼" BSPP	1½" BSPP		
	Outlet	¾" BSPP				1" BSPP	1" BSPP		
Approx. Bare Mass	kg	12.0	13.0	14.0	14.6	15.2	16.0	17.0	18.3
	lb	26.4	28.7	30.8	32.1	33.4	35.3	37.5	40.3
Overall Length 'B' mm		186.2	193.3	200.5	207.6	214.7	221.9	232.6	250.4
Mounting Face to Port Centre 'A' mm		149.2	156.3	151.5	158.6	165.7	149.9	160.6	178.4
Seal Kit		With Wear Plates		SK105		Without Wear Plates		SK105A	

Doc: PUA—05/19

POW AUTO

DAVID BROWN
HYDRAULICS

HYDRECO®

HYDRECO
POW AUTO

ADVANCED HYDRAULIC TECHNOLOGIES



www.hydreco.com