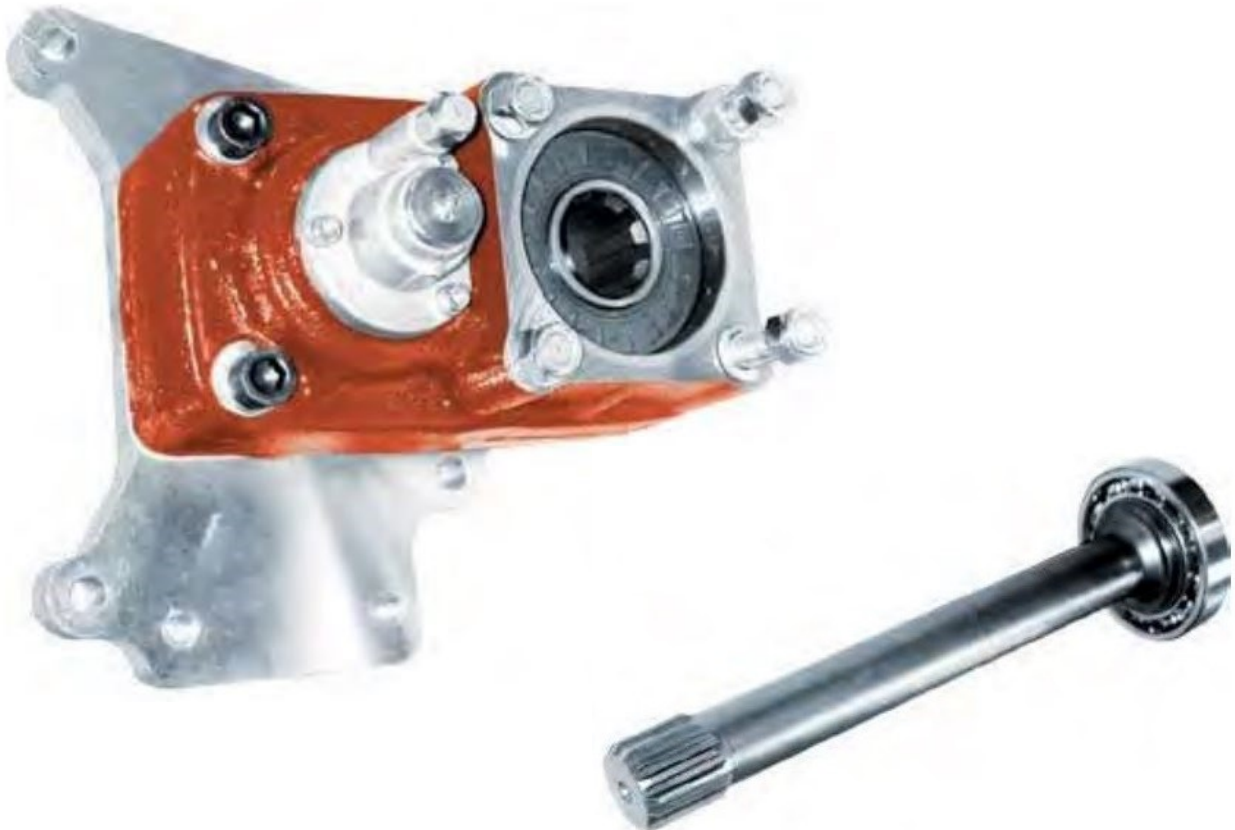


Technical Data Sheet



PB468 SERIES POWER TAKE-OFF

High Torque Rear Mount PTO for ZF

The 468 series is designed for certain ZF transmissions with rear openings and an Intarder, it has an output ratio suitable for high torque in critical applications.

Continuing Hydreco Powauto's commitment to maximum torque density this PTO's design has higher specifications than most similar competing PTO's.

Suits:

ZF ASTRONIC Intarder transmissions.

(Refer to the eGuide Configurator on www.hydreco.com for confirmation and details)

Product Features

- **Output speed 115% of engine speed**
Provides extra torque output for normal engine speeds.
- **Standard outputs**
For flexibility in application with common pumps.
- **Large rear mounting flange**
To provide extra support for higher torque output.
- **Deep groove ball bearings**
For long life and higher performance.

POWAUTO

DAVID BROWN
HYDRAULICS

HYDRECO®

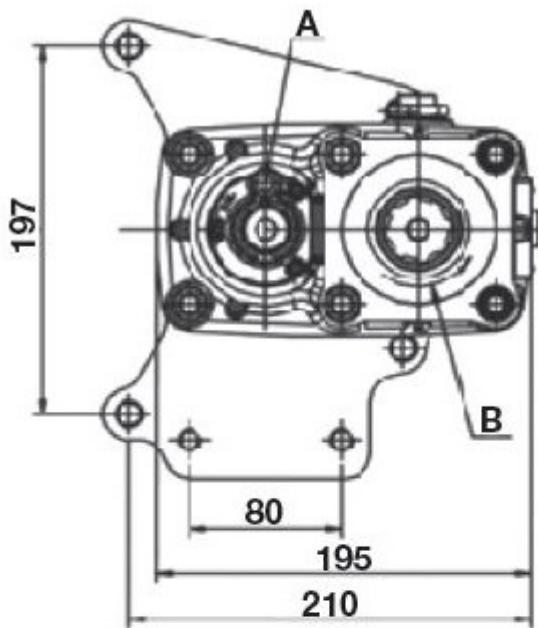
HYDRECO
POWAUTO

ADVANCED HYDRAULIC TECHNOLOGIES



www.hydreco.com

Technical Data Sheet



PTO DESIGNATION CODES

468 Series

PB 468 A 23

Identifier

PB = PTO Rear Mount

PTO Series

468

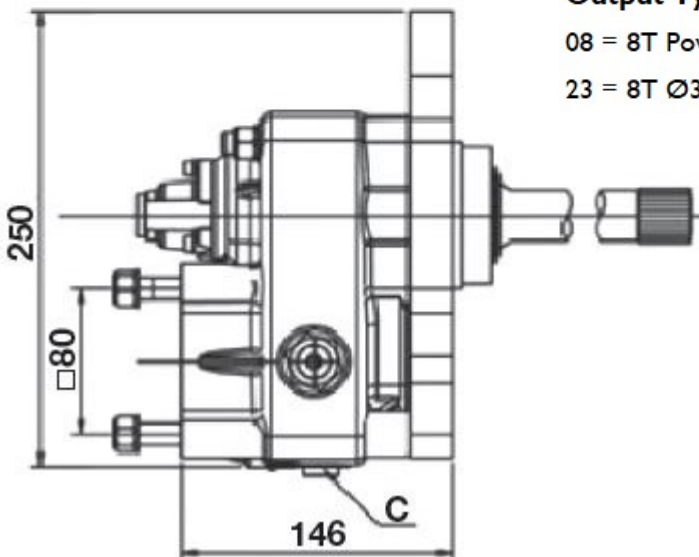
Engagement Type

A = Air

Output Type

08 = 8T Powauto Hydraulic Spline

23 = 8T Ø36 DIN 5462 Spline - Female and DIN Mount



Technical Specifications		
Ratings		
Torque	Nm / ft.lb	600 / 443
Power @ 500 rpm	kW / hp	31.4 / 42.1
Power @ 1000 rpm	kW / hp	62.8 / 84.2
Output Shaft Rotation		Same as Engine
Approximate Bare Mass	kg / lb	18 / 39.6
Mounting Kit		Included

Note: For full details refer to the owners manual or the eGuide configurator found at www.hydreco.com/solutions/on-road

Doc: PB468—04/20

POW AUTO

DAVID BROWN
HYDRAULICS

HYDRECO®

HYDRECO
POW AUTO
ADVANCED HYDRAULIC TECHNOLOGIES



www.hydreco.com