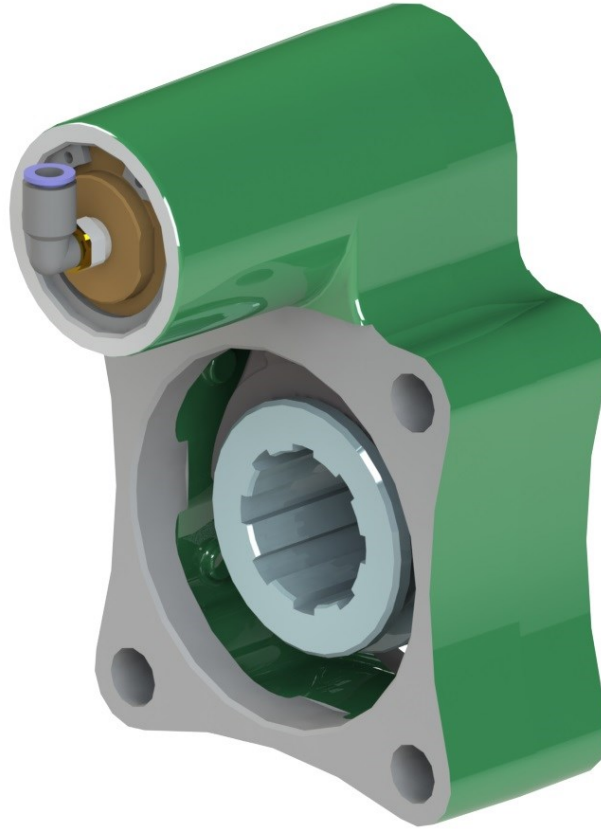


Technical Data Sheet



PB139 SERIES POWER TAKE-OFF

Rear Mount PTO

The 139 series is a 4 bolt rear of counter shaft PTO.

Continuing Hydreco Powauto's commitment to maximum torque density this PTO's design has higher specifications than most similar competing PTO's.

This PTO provides a high torque value for a wide variety of pumps.

Suits:

Volvo and ZF transmissions.

(Refer to the eGuide Configurator on www.hydreco.com for confirmation and details)

Product Features

- **1:1 Rotation With Counter Shaft**
For high torque applications.
- **Standard DIN 4 Bolt Rear Mount**
For ease of fitment.
- **Standard Outputs**
For flexibility in applications.
- **Simple Design**
For an easy installation.

POWAUTO

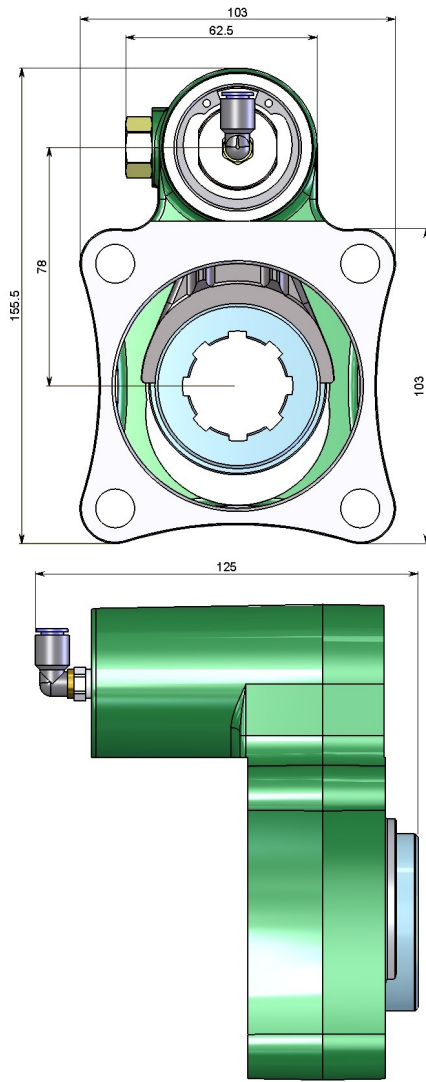
DAVID BROWN
HYDRAULICS

HYDRECO®

HYDRECO
POWAUTO
ADVANCED HYDRAULIC TECHNOLOGIES

www.hydreco.com

Technical Data Sheet



PTO DESIGNATION CODES

139 Series

PB 139 A 23 B

Identifier

PB = PTO Rear Mount

PTO Series

139

Engagement Type

A = Air

Output Type

- 01 = Ø 1 1/4" - 1 1/8" x 5/16" Key
 - 02 = Ø 1 1/4" - 1 1/8" x 5/16" Key + 25 x 50 Flange
 - 03 = Ø 1 1/4" - 1 1/8" x 5/16" Key + 35 x 60 Flange
 - 04 = Ø 1 1/4" - 1 1/8" x 5/16" Key + 1410 Flange
 - 06 = 8T Ø 36 DIN 5462 Spline + 35 x 60 Flange
 - 07 = 8T Ø 36 DIN 5462 Spline + DIN 00 Flange
 - 08 = 8T Powauto Hydraulic Spline
 - 13 = 13T SAE B Hydraulic Spline + SAE B Pump Mount
 - 23 = 8T Ø36 DIN 5462 Spline - Female and DIN Mount
- Other outputs available on request, subject to MOQ.

Manufacturers Code

- B = With Sleeve 57155 (Volvo)
- C = With Sleeve 57152 (ZF)
- D = With Sleeve 57153

Technical Specifications		Output Type		
Ratings & Service Parts		01,02,03,04	08,13	06,07,11,23
Torque	Nm / ft.lb	340 / 250	420 / 309	550 / 406
Power @ 500 rpm	kW / hp	17.8 / 23.9	22.0 / 29.5	28.8 / 38.6
Power @ 1000 rpm	kW / hp	35.6 / 47.8	44.0 / 59.0	57.6 / 77.2
Output Shaft Rotation		Opposite to Engine		
Approximate Bare Mass	kg / lb	3.0 / 6.6		
Mounting Kit		* See Note		
Mounting Gasket Kit		GK010		
Seal Kit		SK082, SK082A (06 & 07 Output)		
Bearing Kit		BK082, BK082A (06 & 07 Output)		

Note: For full details refer to the owners manual or the eGuide configurator found at www.hydreco.com/markets/transport

* Mounting kit varies with transmission - refer to eGuide Configurator.

Doc: PB139—11/17

POWAUTO

DAVID BROWN
HYDRAULICS

HYDRECO®

HYDRECO
POWAUTO
ADVANCED HYDRAULIC TECHNOLOGIES

www.hydreco.com