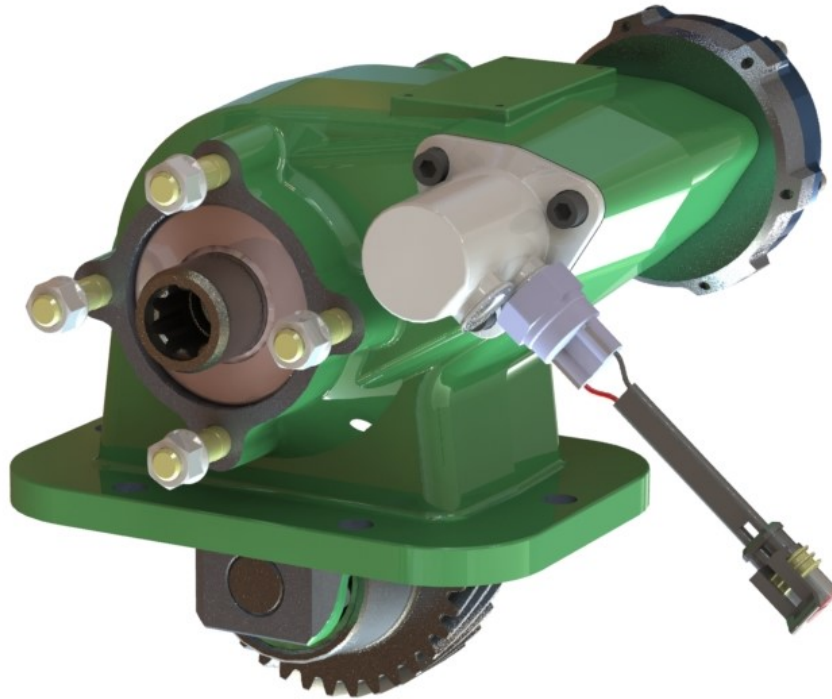


Technical Data Sheet



PA420 SERIES POWER TAKE-OFF

6 Bolt Single Gear Side Mounted PTO

The 420 series is a truck mountable pneumatically actuated (vacuum) single reduction PTO designed for Aisin RE50, RE61/62 transmissions with a 6 bolt opening on vehicles with a gross weight greater than 3.5T.

While continuing Hydreco Powauto's commitment to maximum torque density, this PTO also includes weight saving measures such as utilising an aluminium housing and a new vacuum actuator.

Suits:

Aisin RE50, RE61 & RE62 AMT transmissions.
(Refer to the eGuide Configurator on www.hydreco.com for confirmation and details)

Product Features

- **Output speeds 94 to 100% of engine speed (transmission dependant)**
For maximum torque output for pump operation.
- **Sliding sleeve engagement**
To provide positive engagement from minimal movement.
- **Diaphragm vacuum shift**
High force, positive/repeatable movement.
- **Aluminium Housing**
Lightweight unit to lessen overhung load and therefore stress on the transmission.
- **Common outputs available**
To allow close coupling or remote mounting of the pump.

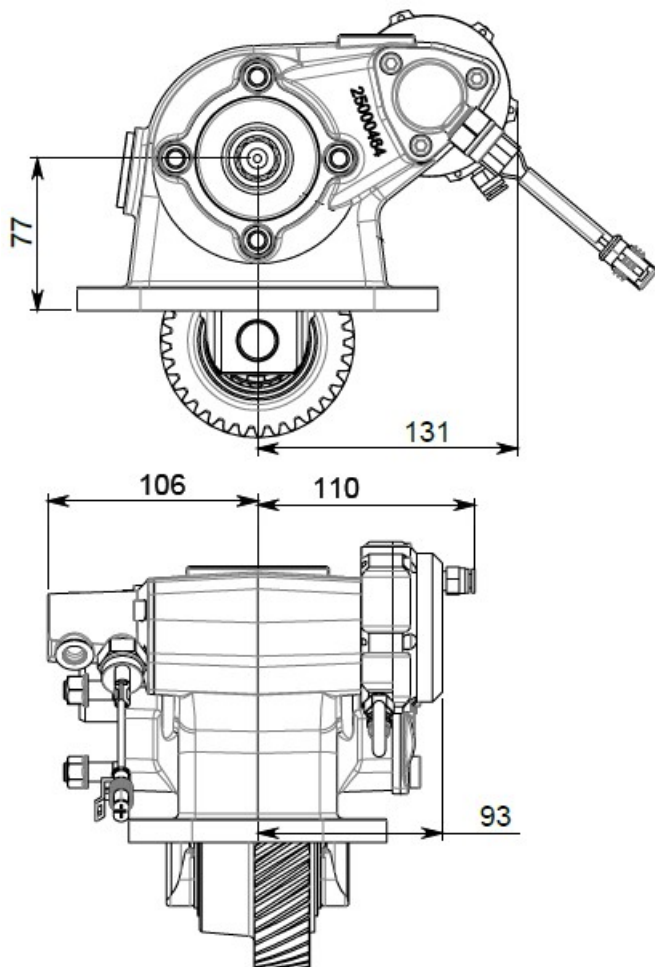
COMPANY WITH
QUALITY SYSTEM
CERTIFIED BY DNV
ISO 9001

HYDRECO
a member of **DAIKIN** group



www.hydreco.com

Technical Data Sheet



PTO DESIGNATION CODES

420 Series

PA 420 EN L12 V 09 A

Identifier

PA = PTO Side Mount

PTO Series

420

Gear Type

EM (Suits RE50)

EN (Suits RE61/62)

Build

L = Left side of transmission

1 = Selector to top / Bias to bottom

2 = Centre to rear

(Position of gear in transmission)

Engagement Type

V = Vacuum

Output Type

08 = 8T Powauto Hydraulic Spline

09 = 14T 12/24 30° Spline + 35 x 60 Flange

10 = 14T 12/24 30° Spline + 1310 Flange

11 = 14T 12/24 30° Spline + 1410 Flange

23 = 8T Ø36 DIN 5462 Spline - Female and DIN Mount

Other outputs available on request, subject to MOQ.

Manufacturers Code

A = With Pressure Switch

B = With Mounting Kit

C = With Mounting Kit & PTO Control Kit

Technical Specifications		PA420EML	PA420ENL
Ratings & Service Parts		RE50	RE61/62
Torque	Nm / ft.lb	387 / 285	277 / 204
Output Speed	% of Engine	100.35	93.66
Output Shaft Rotation		Opposite to Engine	
Approximate Bare Mass	kg / lb	8.4 / 18.5	
Mounting Kit		MK1220	
Mounting Gasket Kit		GK036	
Seal Kit		SK124	
Bearing Kit		BK124	

Note: For full details refer to the owners manual or the eGuide configurator found at www.hydreco.com/solutions/on-road

Doc: PA420—01/23

COMPANY WITH
QUALITY SYSTEM
CERTIFIED BY DNV
ISO 9001

HYDRECO
a member of **DAIKIN** group



www.hydreco.com