

HYDRECO HYDRAULICS MS SERIES

Features:

Modular directional control valve, 6-port design, 3 positions.
Maximum pressure: 350 bar (5100 psi)

Flow rate:

- MS 70 – 70 lpm / 18.5 gpm US (coming soon)
- MS 100 – 100 lpm / 26 gpm US
- MS 130 – 130 lpm / 34 gpm US

Controls:

- * Handle control
- * Hydraulic proportional control
- * Electrohydraulic proportional control

Ports:

- * ISO 1171-1 (BSPP GAS)
- * JIS B 2351-90
- * ISO 9974-1
- * ISO 6149-1
- * SAE ISO 11926-1.



Advantages:

- *Up to 10 working sections connected in parallel, highly configurable.
- *Solid and sturdy 4-tie rod block with cast iron elements.
- *Several types of spools; interchangeable, double acting/single acting.
- *Possible 4-position working sections with floating and holding function.
- *Pump discharge solenoid valve.
- *Check valve on each working section.
- *Anti-shock and filling valves on the working ports.

ON SHOW AT:
Stand: C33,
Hall: 18



PRODUCT INFORMATION

HYDRECO HYDRAULICS MHDC

0-5V version features:

Supply voltage:	9-32VDC
X/Y axis voltage output range:	0.5 ÷ 4.5 V
Tolerance on output voltage signal:	± 0.03 V
Off-center signals:	2 outputs 0-5V@15mA
Mechanical life:	>3 million cycles
Operating temperature:	-40° ÷ 85° C
*Optional power ON-OFF outputs	Up to 8 ON-OFF 2A@12V/24V

CANopen version features:

Supply Voltage:	9-32VDC
Proportional axes:	Up to 6
Digital inputs:	ON-OFF N.9 0-5V and N.2 12/24V
CANopen Bit Rate:	125-250-500-1000 kBit/s
Mechanical life:	>3 million cycles
Operating temperature:	-40° ÷ 85° C
*Optional power ON-OFF outputs	Up to 8 ON-OFF 2A@12V/24V

Electromagnetic compatibility

Complies with the EMC Directive and the following standards:

UNI EN ISO 13766-1:2018 / UNI EN ISO 14982:2009
EN 61000-6-4:2007+A1:2011 / EN 61000-6-2:2005+AC:2005



Press info: Sara Bernardelli
communications@diplomatic.com

HYDRECO HYDRAULICS ITALIA SRL

Via dell'Artigianato, 580
41058 Vignola (MO) – Italia
T. + 39 059 770 0411
www.hydreco.com

Advantages:

- *Latest generation integrated electronics based on 32-bit microcontroller architecture and 3D Hall Effect sensor.
- *Compact and robust mechanical design, suitable for space-constrained installation requirements.
- *Available in 0-5V and CANopen versions, i.e. in the most widely used output interfaces in the mobile and industrial sectors.
- *Possibility to integrate the full range of handles and controls available in the Hydreco catalog.
- *Protected and sealed electronics
- *8 optional programmable power outputs for additional service functions.
- *Wide availability of input resources: up to 11 ON-OFF inputs (buttons, switches, rockers, etc.) and 4 analog inputs (proportional rollers, rotary potentiometers, etc.).

ON SHOW AT:
Stand: C33,
Hall: 18

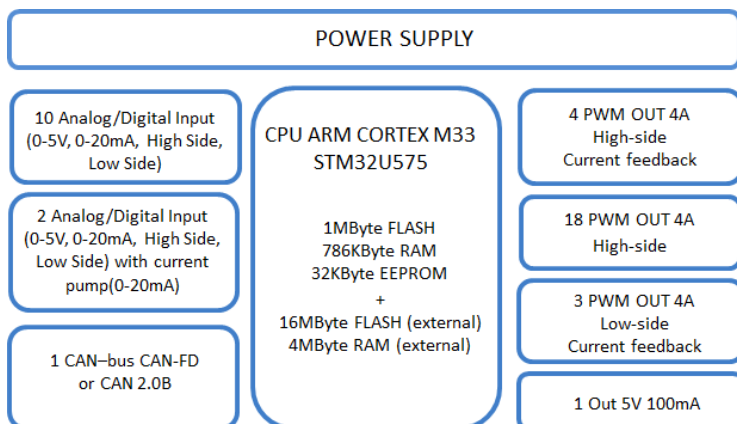


PRODUCT INFORMATION

HYDRECO HYDRAULICS ECU

Specifications

Supply Voltage: 8-32VDC
 CPU ARM CORTEX M33 -- CLOCK@160MHZ
 Total output current from the unit 30A
 (For each group of BTS5215L MOSFETs 12A max)
 Operating temperature: -40°C +85°C
 IP6K8 protection degree according to ISO20653:201
 Debugging and programming environment: IEC61131-3 compliant
 Parameter setting via RS232 serial interface
 Operation as ECU Master or Slave



HYDRECO HYDRAULICS ITALIA SRL

Via dell'Artigianato, 580
 41058 Vignola (MO) – Italia
 T. + 39 059 770 0411
www.hydreco.com

Advantages:

*New Hydreco electronic CAN bus controller with latest generation electronics designed for mobile applications.

*It can be used as a master or slave unit, providing flexibility and modularity to the control system, adding the necessary I/O resources to the network to meet all the needs required by machine manufacturers.

*Programmable through the 5 PLC programming languages used in industrial automation, it offers the opportunity to readapt and reuse the source code already created in Ladder, ST, IL, SFC, Function Block.

*LogicLab software environment compliant with IEC61131-3 standard, for programming, debugging, simulation, setting and modifying parameters, downloading firmware and application on the control unit and "real time" connection to the controller for field tests.

ON SHOW AT:
Stand: C33,
Hall: 18

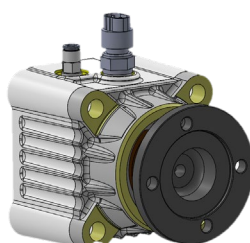


**HYDRECO HYDRAULICS
PTO P Series**

P1:

Coaxial power take off

Max withdrawable torque = 1000Nm

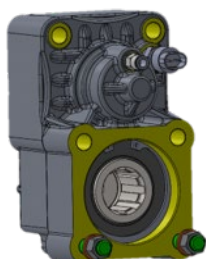


P2:

Light two-axis power take off -

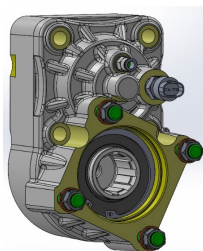
Max withdrawable torque = 300Nm

Internal gear ratio = 1:1.3



P3:

Heavy duty two-axis power take off .



Internal gear ratio	Torque (Nm)
0.9	500
1.3	450
1.5	400
1.8	350

Advantages:

*Withdrawal of all available torque from the vehicle's gearbox.

*Reinforced structure and components for high performance and long service life.

*Easy installation thanks to interface kits for a wide range of gearboxes.

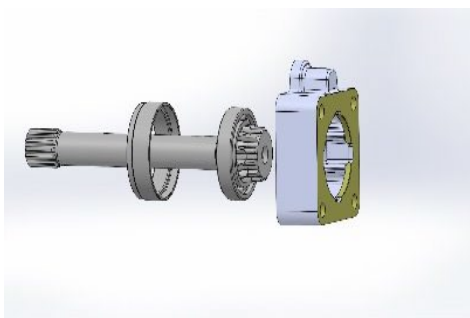
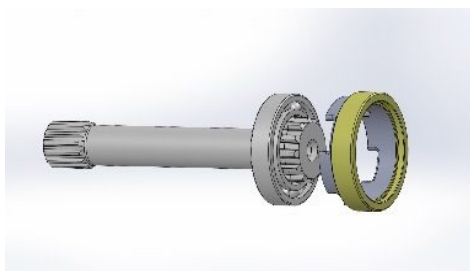
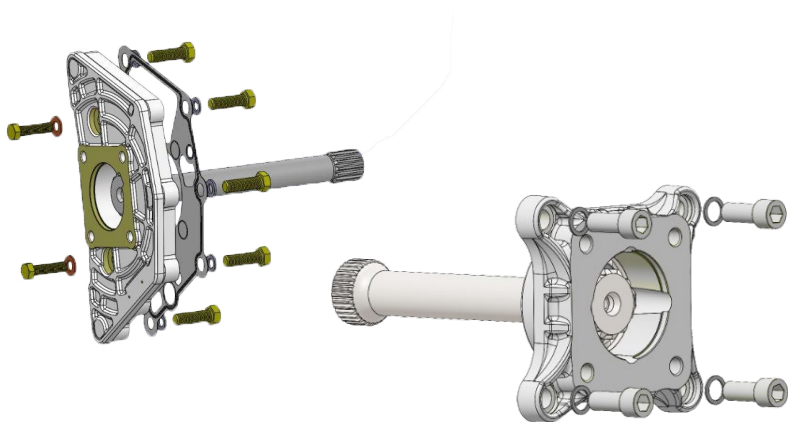
ON SHOW AT:
Stand: C33,
Hall: 18



HYDRECO HYDRAULICS Adaptor kits

Features:

Max withdrawable torque = 1000Nm



Advantages:

- *They allow PTOs P1, P2 and P3 to be mounted on the whole series of ZF Traxon gearboxes.
- *Easy installation
- *Easy storage
- *Optimization of stock component management

ON SHOW AT:
Stand: C33,
Hall: 18

PRODUCT INFORMATION

HYDRECO HYDRAULICS KCB* Load Holding Cartridges

Features:

A complete range of load holding valves.

Valves in normal, compensated or vented design are available depending on the valve size, with different pilot ratios, with fixed or variable pressure settings and with different Q- Δp characteristics, from the most restrictive for particularly fine movements, to the largest openings that the size can allow.

Cavities:

SAE SAE08, SAE10, SAE12, SAE16, SAE20

SUN T11A, T2A

EATON A6610

Flow rate:

30 to 350 l/min

Working pressure:

Up to 350 bar

Pressure setting:

Up to 420 bar



Press info: Sara Bernardelli
communications@diplomatic.com

HYDRECO HYDRAULICS ITALIA SRL

Via dell'Artigianato, 580

41058 Vignola (MO) – Italia

T. + 39 059 770 0411

www.hydreco.com

Advantages:

* KCB valves allow the free flow during the rise of the load, thanks to the built-in check valve.

* They block the oil return when the directional valve is in idle position or when the pump is stopped, ensuring system stability.

* They limit the maximum pressure in the actuator via the built-in pressure relief valve, protecting the actuator from overpressure caused by inertial loads or external forces.

* They control movements of the actuator when the load is descending. Due to the presence of the pilot line, the velocity of the actuator is always due to the flow rate from the pump, even in the case of dragging load or cavitation phenomena.

This feature also ensures the safety of the system in the event of a breakage in the oil return line, preventing dangerous situations.

ON SHOW AT:

Stand: C33,

Hall: 18

