

HPVL-SPVL

HYDRAULIC PILOT
CONTROL



LOADER TYPE PILOT CONTROL

HPVL and SPVL Pilot Control Valves are well established products of Hydreco Hydraulics designed specifically for Wheeled Loader applications.

These products are supported by an extensive range of characteristics and handle options; moreover they can control either two or three service loader applications.

Our engineers can offer specialistic support to optimise this product to suit your application.

BENEFITS

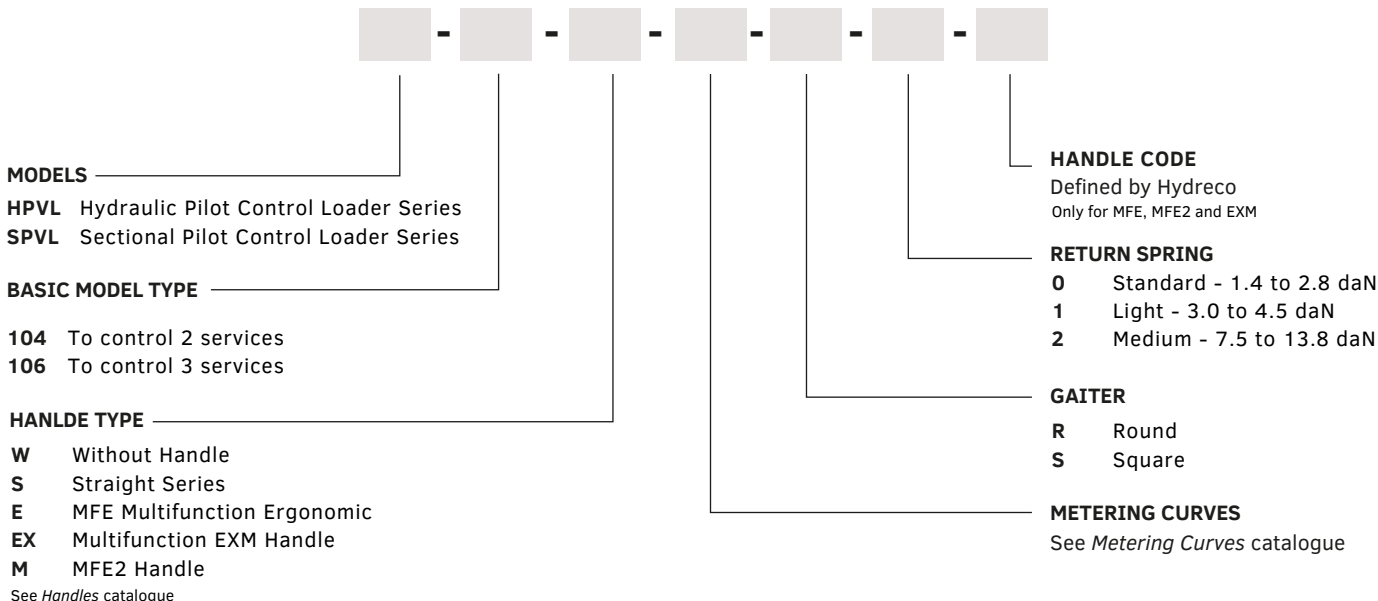
- Compact and lightweight
- All ports on bottom face for an easy installation
- Operator is protected from high temperature
- Low hysteresis, high accuracy pressure control curves
- Wide range of electrical options in both standard and multifunction ergonomic handles
- Electrically releasable detents available as required
- Low effort lever control

TECHNICAL FEATURES

Service ports:	P, T, U1, U2, U3, U4; 1/4" BSP
Maximum inlet pressure:	Port P - 50 bar
Maximum back pressure:	Port T - 3 bar
Supply flow range:	From 5 up to 20 litres/min
Maximum hysteresis:	+/- 0.5 bar
Fluid:	Mineral Oils ISO, M and HV
Contamination class:	20/18/15 ISO 4406:1999
Fluid temperature range:	from -20° to +80°C

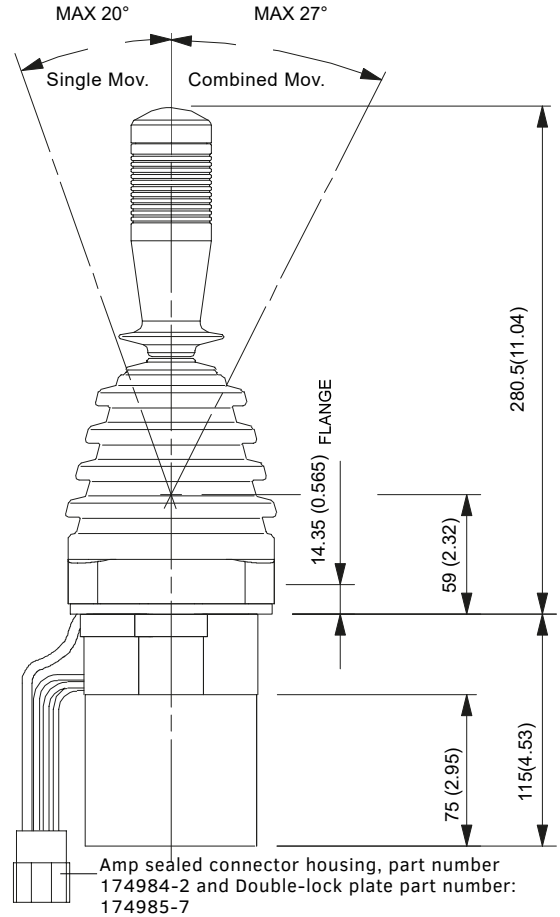
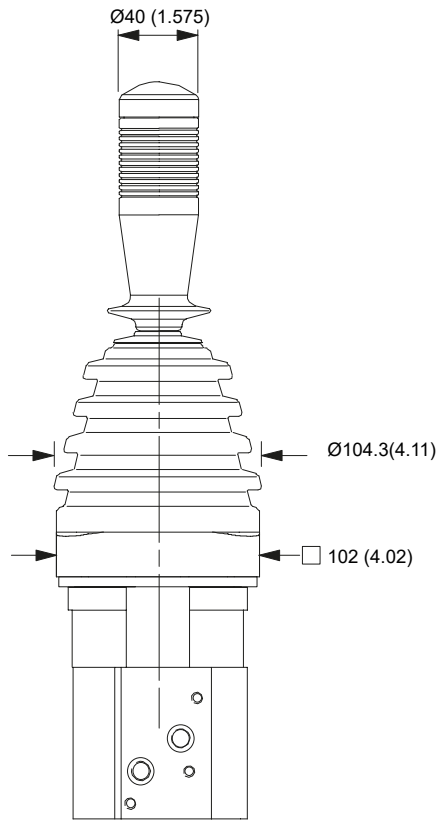
HPVL / SPVL SERIES - MODEL CODING

Hydreco Hydraulics reserves the right to update the information and data contained in this catalogue at any time without notice

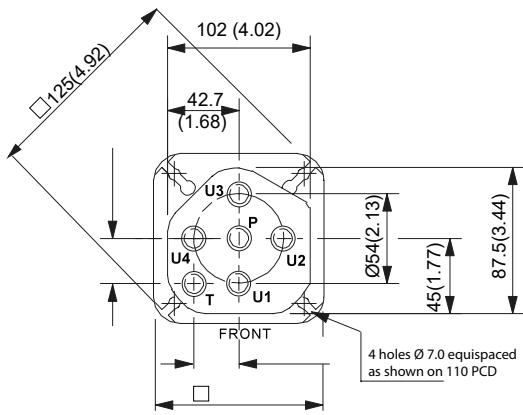


Example: HYDRAULIC PILOT CONTROL LOADER SERIES, MODEL 104, MFE HANDLE N. 12063, METERING CURVE N.043, SQUARE GAITER, RETURN SPRING 0 : **HPVL-104-E-043-S-0-12063**

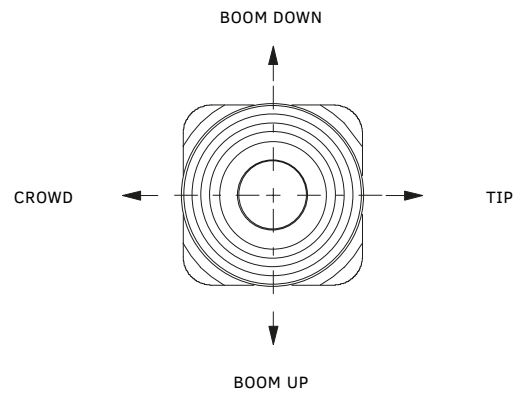
HPVL104 - TO CONTROL 2 SERVICES



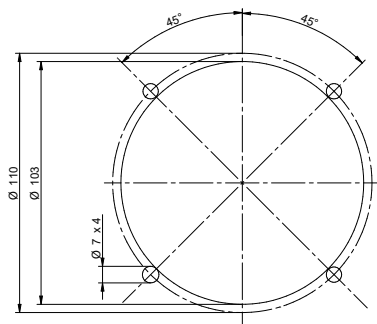
BOTTOM VIEW



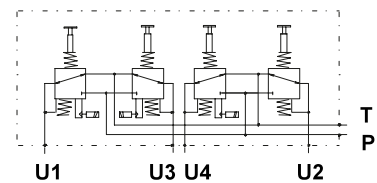
TOP VIEW



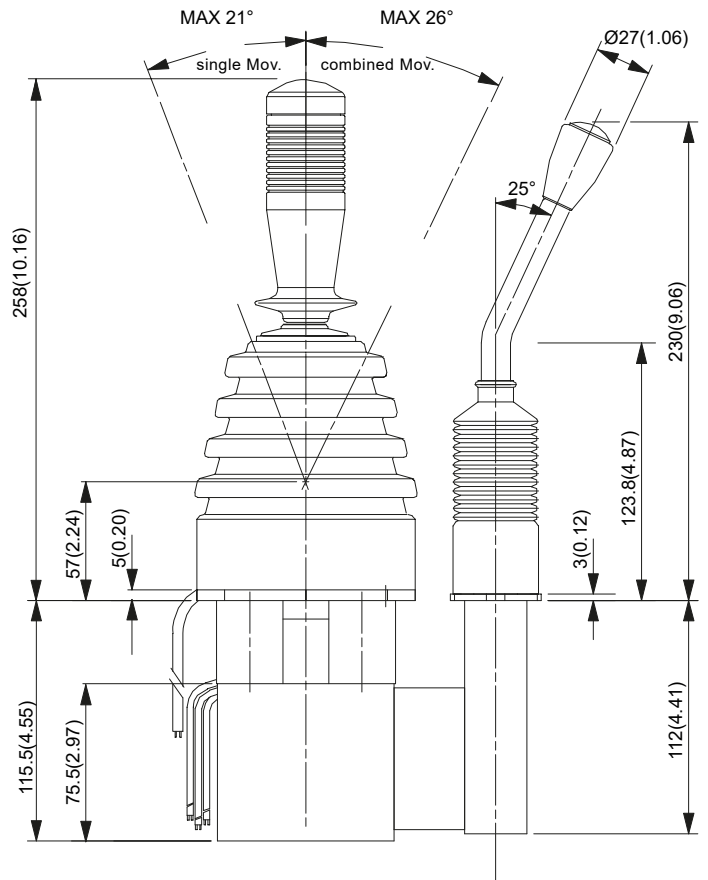
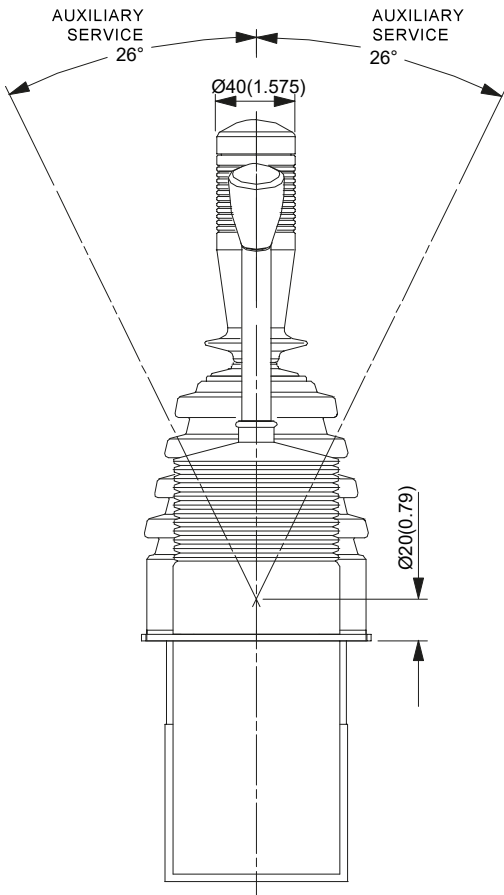
INSTALLATION DRAWING



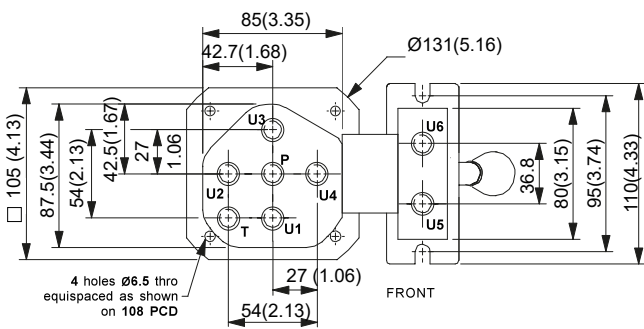
HYDRAULIC CIRCUIT DIAGRAM



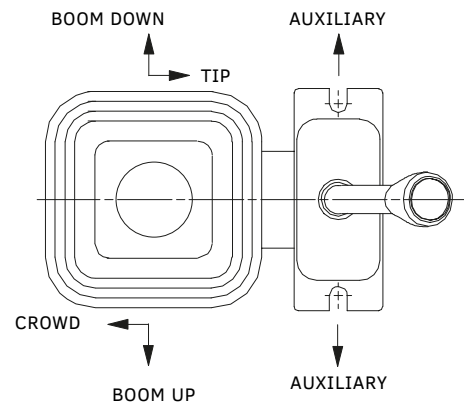
HPVL106 - TO CONTROL 3 SERVICES



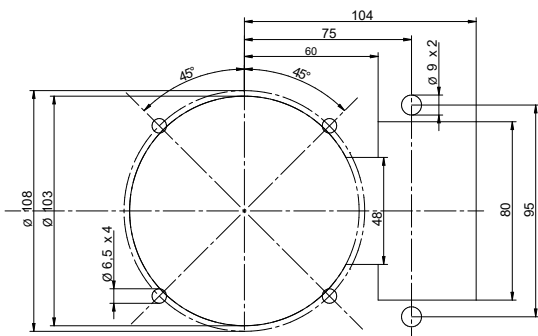
BOTTOM VIEW



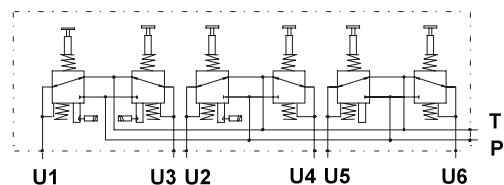
BOTTOM VIEW



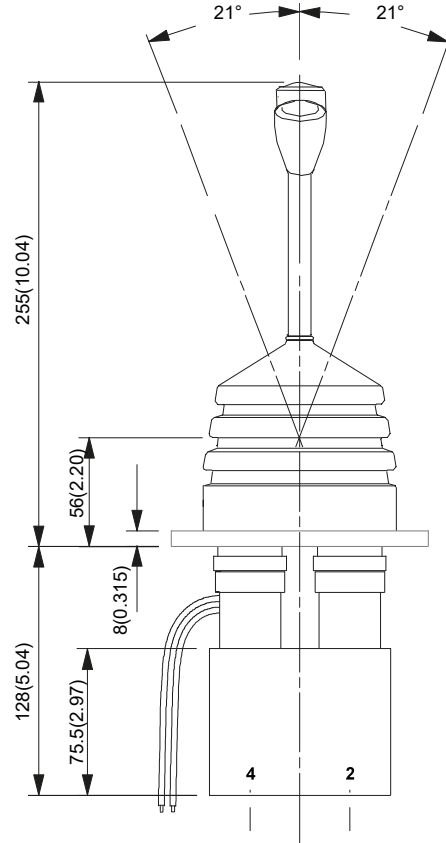
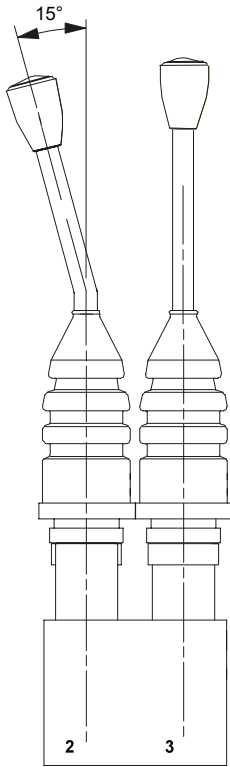
INSTALLATION DRAWING



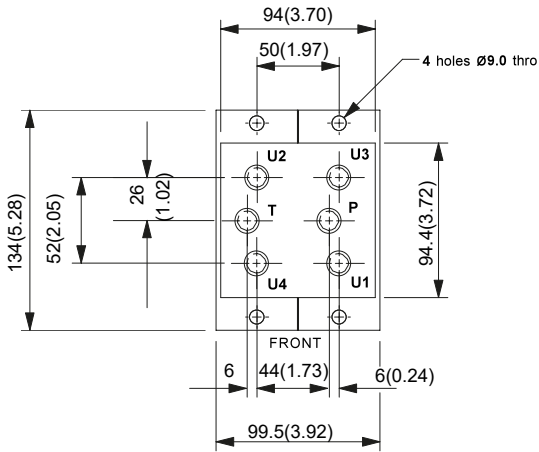
HYDRAULIC CIRCUIT DIAGRAM



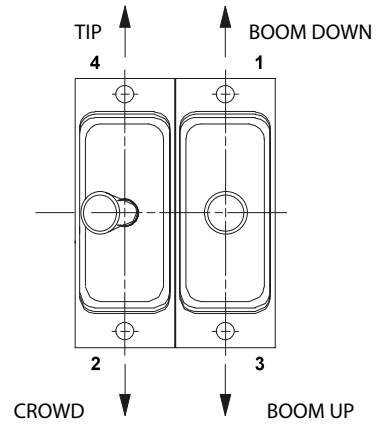
SPVL106 - BOOM AND BUCKET



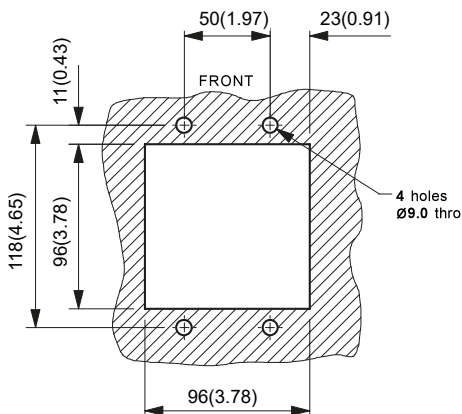
BOTTOM VIEW



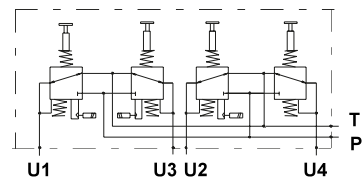
TOP VIEW



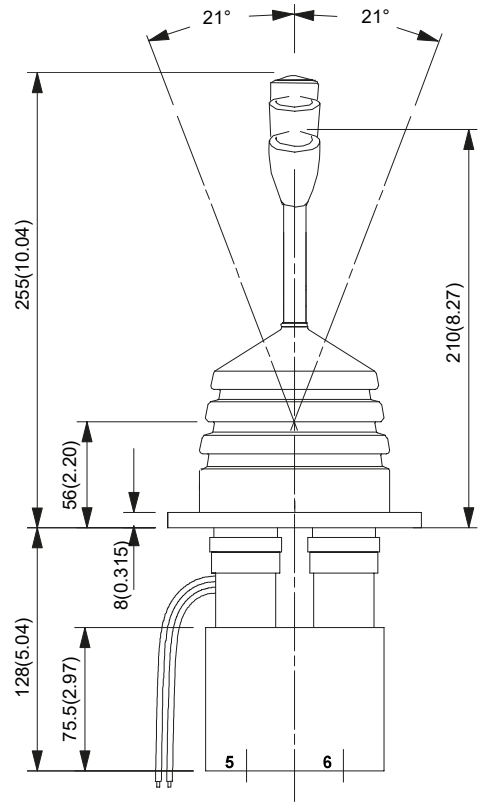
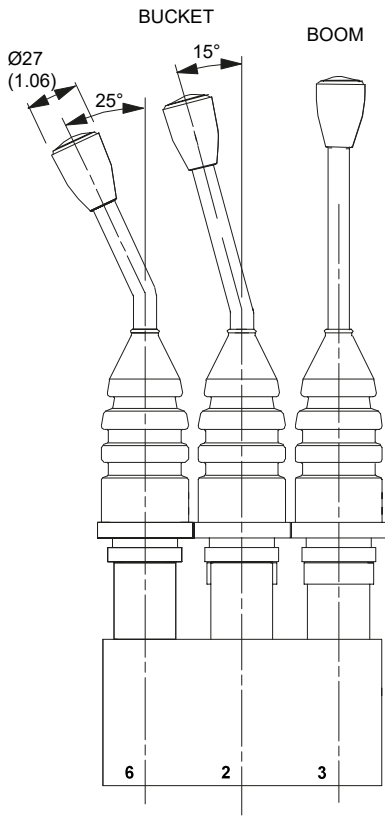
INSTALLATION DRAWING



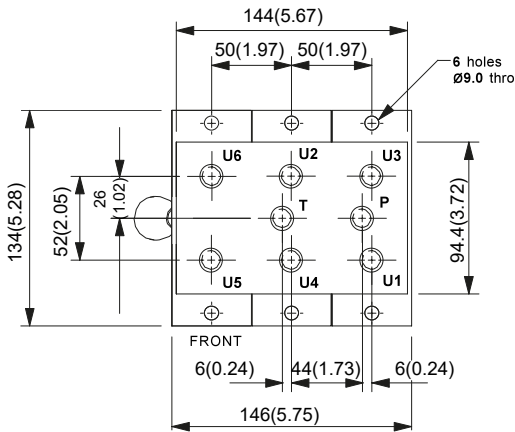
HYDRAULIC CIRCUIT DIAGRAM



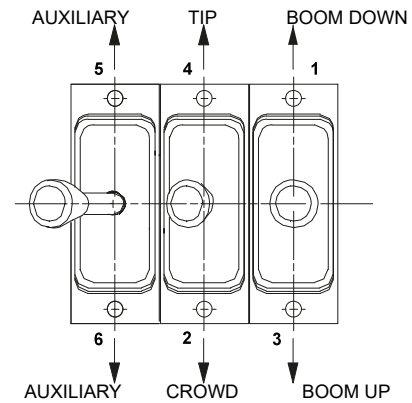
SPVL106 - TO CONTROL 3 SERVICES



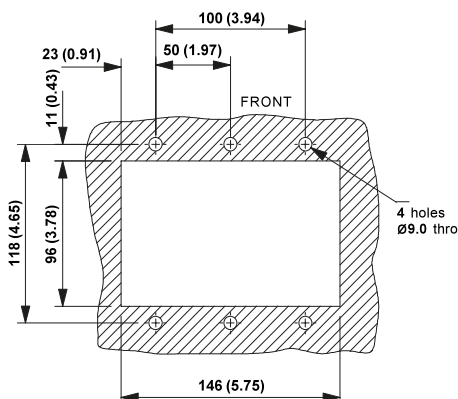
BOTTOM VIEW



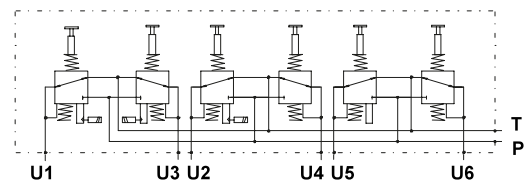
TOP VIEW



INSTALLATION DRAWING



HYDRAULIC CIRCUIT DIAGRAM



Supported by a worldwide network



CONTACT INFORMATION

EMEA

GERMANY	Hydreco Hydraulics GmbH, Straelen (NRW)	+49 283494303-41	info-de@hydreco.com
ITALY	Hydreco Hydraulics Italia Srl, Vignola (MO)	+39 059 7700411	sales-it@hydreco.com
ITALY	Hydreco Hydraulics Italia Srl, Parma (PR)	+39 0521 1830520	sales-it@hydreco.com
ITALY	Hydreco Srl, San Cesario S/P (MO)	+39 059 330091	cylinders@hydreco.com
NORWAY	Hydreco Hydraulics Norway AS, Nittedal	+47 22909410	post-no@hydreco.com
UK	Hydreco Hydraulics Ltd, Poole, Dorset	+44 (0) 1202 627500	info-uk@hydreco.com

AMERICAS

NORTH/LATIN	Hydreco Inc/Continental Hydraulics Inc, Shakopee (MN)	+1 952 895 6400	sales@conthyd.com
--------------------	---	-----------------	-------------------

APAC

AUSTRALIA	Hydreco Hydraulics Pty Ltd, Seven Hills (NSW)	+61 2 9838 6800	sales-au@hydreco.com
AUSTRALIA	Hydreco Hydraulics Pty Ltd, Welshpool (WA)	+61 8 9377 2211	reception-wa@hydreco.com
INDIA	Hydreco Hydraulics India Private Ltd, Bangalore	+91 80 67656300	sales-in@hydreco.com