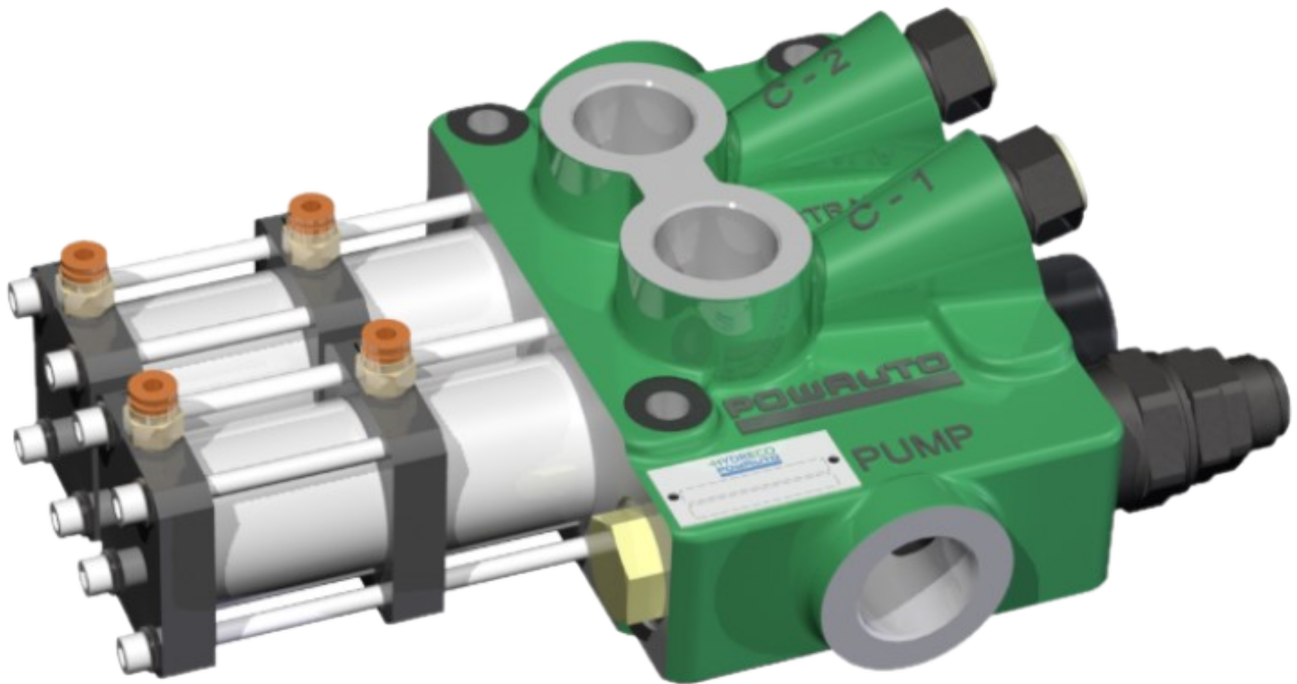


Technical Data Sheet



210 SERIES TRUCK & TRAILER VALVES

Truck & Trailer Valves

The 210 Valve has been designed in response to the changing needs of the modern truck market.

These valves provide another option for truck and trailer applications where dual tipping or compact size is required in conjunction with high flow rates.

When used with a dual hoist control (CK108, CK158, CK167 or CK179) these valves provide a compact solution relative to the alternatives.

Suits:

Truck and trailer applications.

Options:

Service port pressure switches.

Product Features

- **Hard Chrome Metering Spools**
Combine with the load hold check valve to provide load independent, proportional control.
- **Monoblock Construction**
For maximum strength and integrity, allowing for repeatability and long life.
- **Air Operated**
For ease of engagement remotely via pneumatic or electro pneumatic control.
- **Larger Gap Between Cylinder Ports**
Ease of hose fitting provides quicker fit up.
- **Extra Large Galleries and Spools**
To allow for larger flow capacities with extremely low pressure drops.
- **High Flow Rates**
Lowest pressure drop compared to competitors at high flows. Allows for more cycles per day.

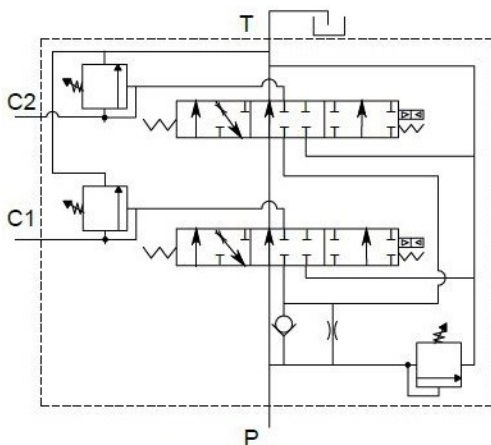
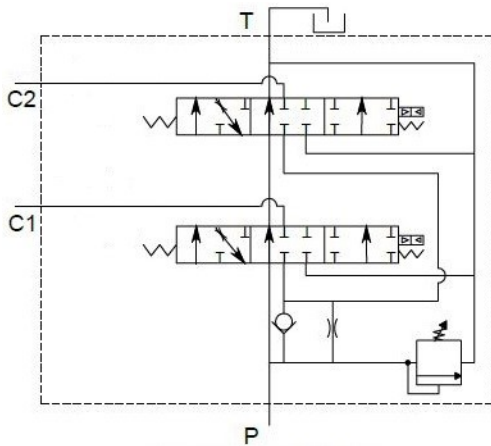


HYDRECO
a member of **DAIKIN** group



www.hydreco.com

Technical Data Sheet



WITH PORT RELIEFS

VALVE DESIGNATION CODES

210 series valve

VA 210 A 1221 A

Identifier

VA = Valve

Valve Series

210

Engagement Type

A = Air

Relief Pressure Range (Bar)

1221 = 120 - 210 (1700 - 3000psi)

1234 = 120 - 345 (1700 - 5000psi)

Features

A = Std + Service Port Switches

B = Std (Metering Spool Only)

C = Std + Service Port Switches + Two Speed Lower

D = Std + Two Speed Lower

E = Std + Port Relief

F = Std + Port Relief + Two Speed Lower

G = Std + Two Pressure Relief Valve

H = Std + Service Port Switch + Two Pressure Relief Valve

Technical Specifications	VA210A1221B
Number of Spools	2
Action	Single Acting
Maximum Pressure Bar / psi	345 / 5000
Pressure Drop @ 170LPM C1-T Bar / psi	3.4 / 49.3
Pressure Drop @ 170LPM C2-T Bar / psi	2.1 / 30.5
Base Valve Mass kg	11
Port Sizes - PUMP & CYL	1" BSPP
Port Size - TANK	1/4" BSPP
Pressure Switch (Optional)	49700051B

Spare Parts	
Description	Item Number
Seal Kit (does not include 43000112G piston)	SK120
Seal Kit (includes 43000112G piston)	SK120B
Air Shift Repair Kit -All Seals	RK009
Air Shift Repair Kit -Piston, Piston Rod & Nut	RK009B
Spring Retainer Spacer - Outer	28000600
Spring Retainer Spacer - Inner	28000601
Valve Centering Spring	35000205
Piston Rod	37000092
Spool Retainer Screw	48000773
Air Shift Cylinder Barrel	49000142

Note: Hydreco recommends the use of filtration in all hydraulic circuits to a maximum of 25µm.

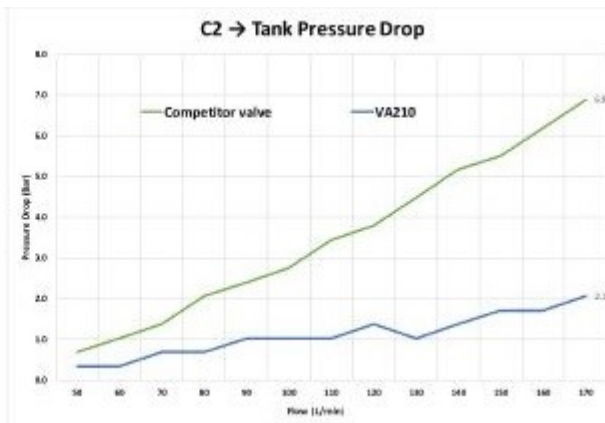
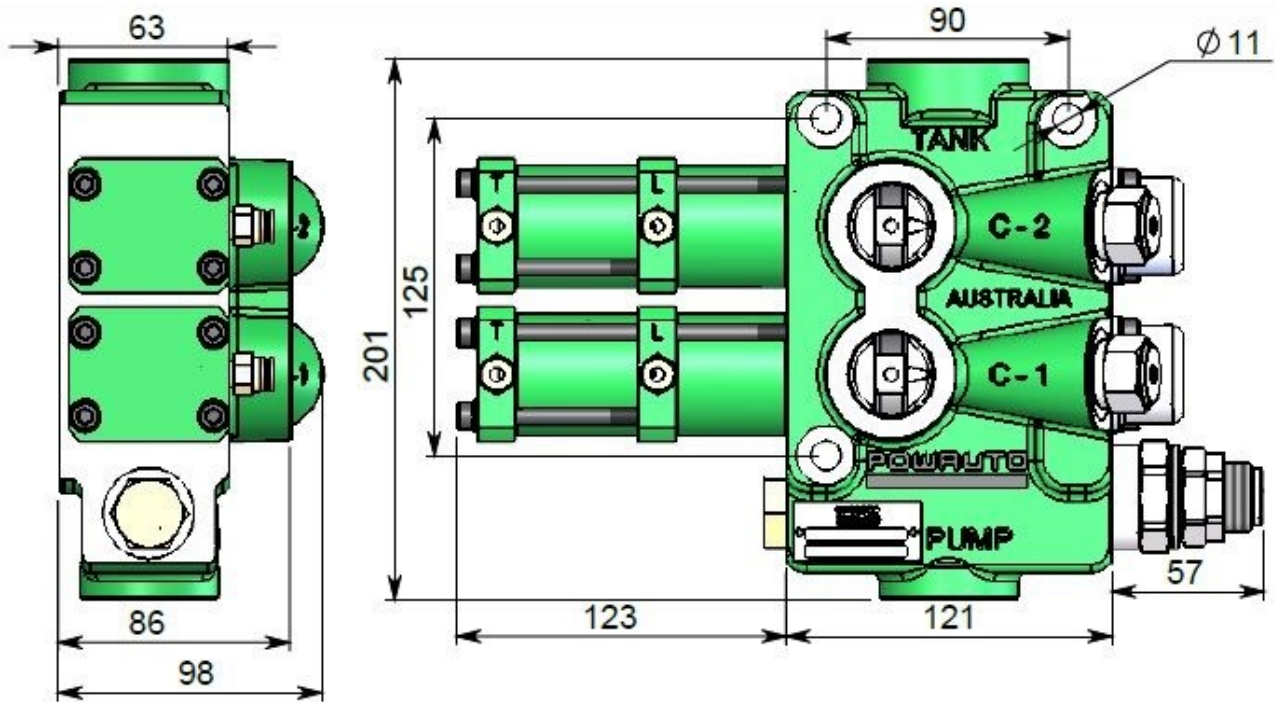


HYDRECO
a member of **DAIKIN** group



www.hydreco.com

Technical Data Sheet



HYDRECO
a member of **DAIKIN** group



www.hydreco.com

Technical Data Sheet

Doc: VA210—08/24



HYDRECO
a member of **DAIKIN** group



www.hydreco.com