

# Technical Data Sheet



## TAIL GATE SIDE SWING KIT

### Tail Gate Side Swing Kits

The side swing kit allows the tail gate to be opened about two different axes to suit the requirements of load size or load type. One tail gate configuration rotates about a horizontal axis (dump swing), while the second option is to rotate about a vertical axis (barn door).

They are used on new applications by body builders and by service centres to convert single acting tail gate doors into two way tail gates.

They are available in 3 different sizes to suit the varying sizes of bodies in the market.

## Product Features

- **All Steel Construction**  
To provide maximum durability and bush life.
- **Grease Nipples Installed**  
For easily lubrication to extend bush life.
- **Three Sizes**  
To suit different body sizes.
- **Simple Design**  
Ease of installation on all bodies.
- **Simple Locking Devices**  
To enable easy change of opening style.

POWAUTO

DAVID BROWN  
HYDRAULICS

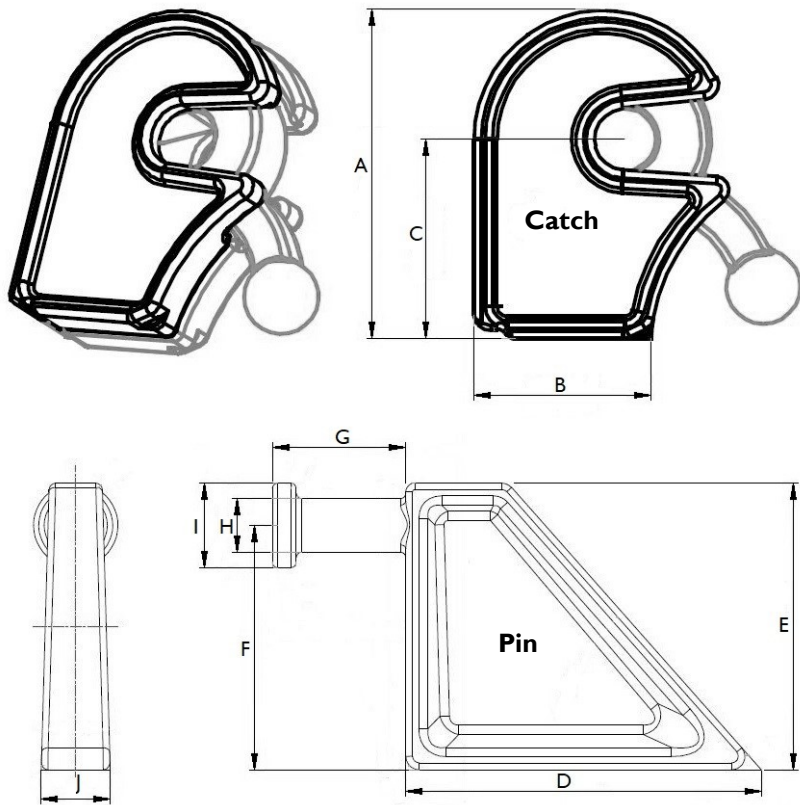
HYDRECO®

HYDRECO  
POWAUTO  
ADVANCED HYDRAULIC TECHNOLOGIES



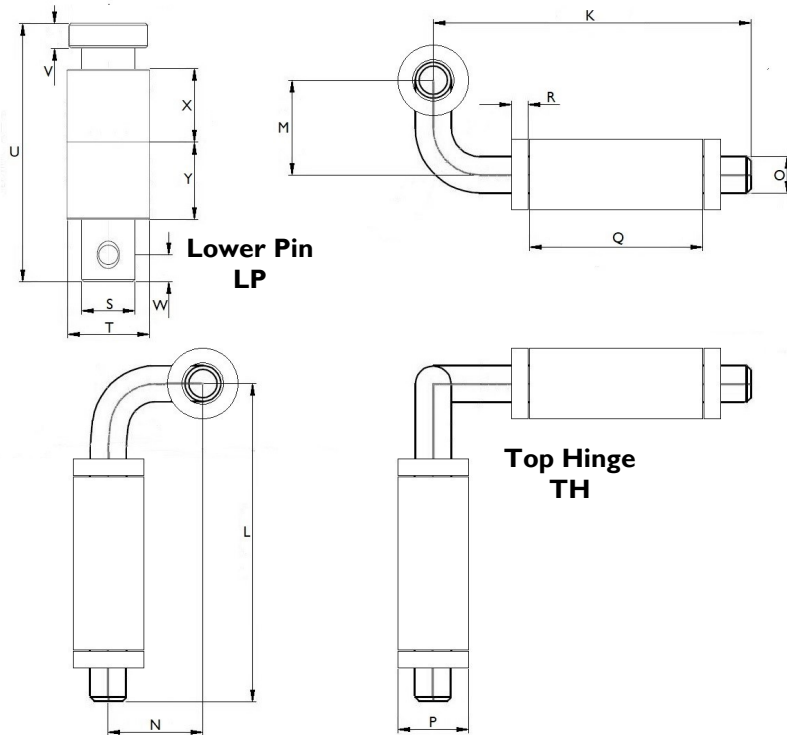
[www.hydreco.com](http://www.hydreco.com)

# Technical Data Sheet



PIN & CATCH

Dims	20mm	30mm	39mm
Catch	GL16326	GL16328	GL16330
Pin	GL16327	GL16329	GL16331
A	110	122	138
B	59	82.5	96
C	67	72.5	80
D	134	139	136
E	108	117	125.5
F	92	102	99.7
G	50.3	56.5	69
H	20	30	39
I	32	41.5	51.5
J	26	34.6	32
Kit	GL16326/27	GL16328/29	GL16330/31



HINGE KIT

Dims	27mm	35mm	50mm
Top	GL25100TH	GL25200TH	GL25300TH
Lower	GL25100LP	GL25200LP	GL25300LP
K	236	318	327
L	237	317	326
M	70.6	104.2	71
N	70.6	104.2	61
O	27	35	50
P	40	49	75
Q	100	165	165
R	12.5	10	10
S	27	34.9	50
T	40	49	75
U	131.6	210.2	211
V	12.6	10.4	10
W	13.6	10.3	10
X	50	100	100
Y	50	75	75
Kit	GL25100	GL25200	GL25300

Doc: TGSSK—10/20

POWAUTO

DAVID BROWN  
HYDRAULICS

HYDRECO®

**HYDRECO**  
POWAUTO  
ADVANCED HYDRAULIC TECHNOLOGIES



www.hydreco.com