

# Technical Data Sheet



## BODY PIVOT KIT

### Rear Body Pivot Kits

The body pivot kit is designed for tipper bodies and trays. It is used on new applications by body builders and by service centres for the replacement of worn bushes and pivot bars.

They are available in 3 different sizes to suit the varying sizes of bodies in the market.

## Product Features

- **All Steel Construction**  
To provide maximum durability and bush life.
- **Grease Nipples Installed**  
For easily lubrication to extend bush life.
- **Three Sizes**  
To suit different body sizes.
- **Simple Design**  
Ease of installation on all bodies.

POWAUTO

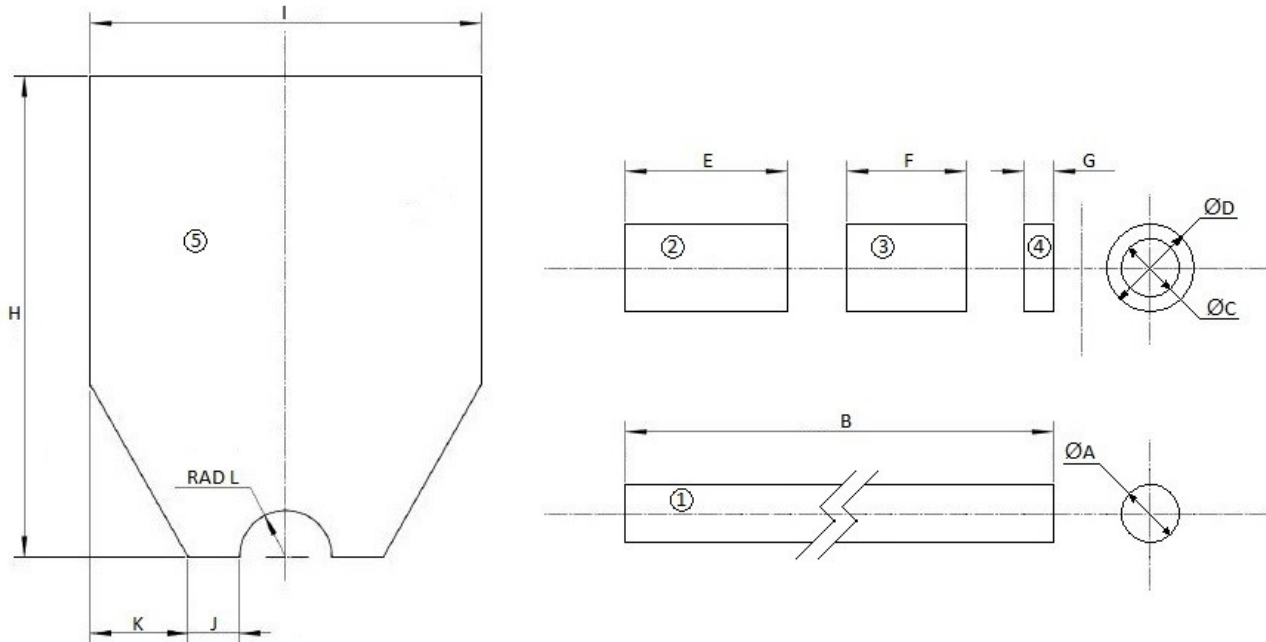
DAVID BROWN  
HYDRAULICS

HYDRECO®

HYDRECO  
POWAUTO  
ADVANCED HYDRAULIC TECHNOLOGIES

[www.hydreco.com](http://www.hydreco.com)

# Technical Data Sheet



Dimensions		27mm	Quantity	38mm	Quantity	38mm	Quantity	50mm	Quantity
Part		GL25600	In Kit	GL25400	In Kit	GL25700	In Kit	GL25500	In Kit
1	A	27	1	38	1	38	1	50	1
	B	1200		1015		1015		1375	
	C	27.2		38.5		38.5		50.8	
	D	45		56		56		71	
2	E	51	2	102	2	102	2	51	4
3	F	38	2	51	4	51	4	100	2
4	G	12.5	2	9.9	2	9.9	2	13	2
5	H	133	2	180	4	180	2		
	I	102		152		152			
	J	8		10		10			
	K	16		36		36			
	L	25		30		30			

Doc: BPK—08/20

POWAUTO

DAVID BROWN  
HYDRAULICS

HYDRECO®

HYDRECO  
POWAUTO

ADVANCED HYDRAULIC TECHNOLOGIES

www.hydreco.com